

| Language | Page |
|----------|---------|
| EN | P.2-17 |
| TCN | P.18-35 |

hyBrid turn

Instruction Manual



Hybrid keeps evolving
Hybrid without compromise

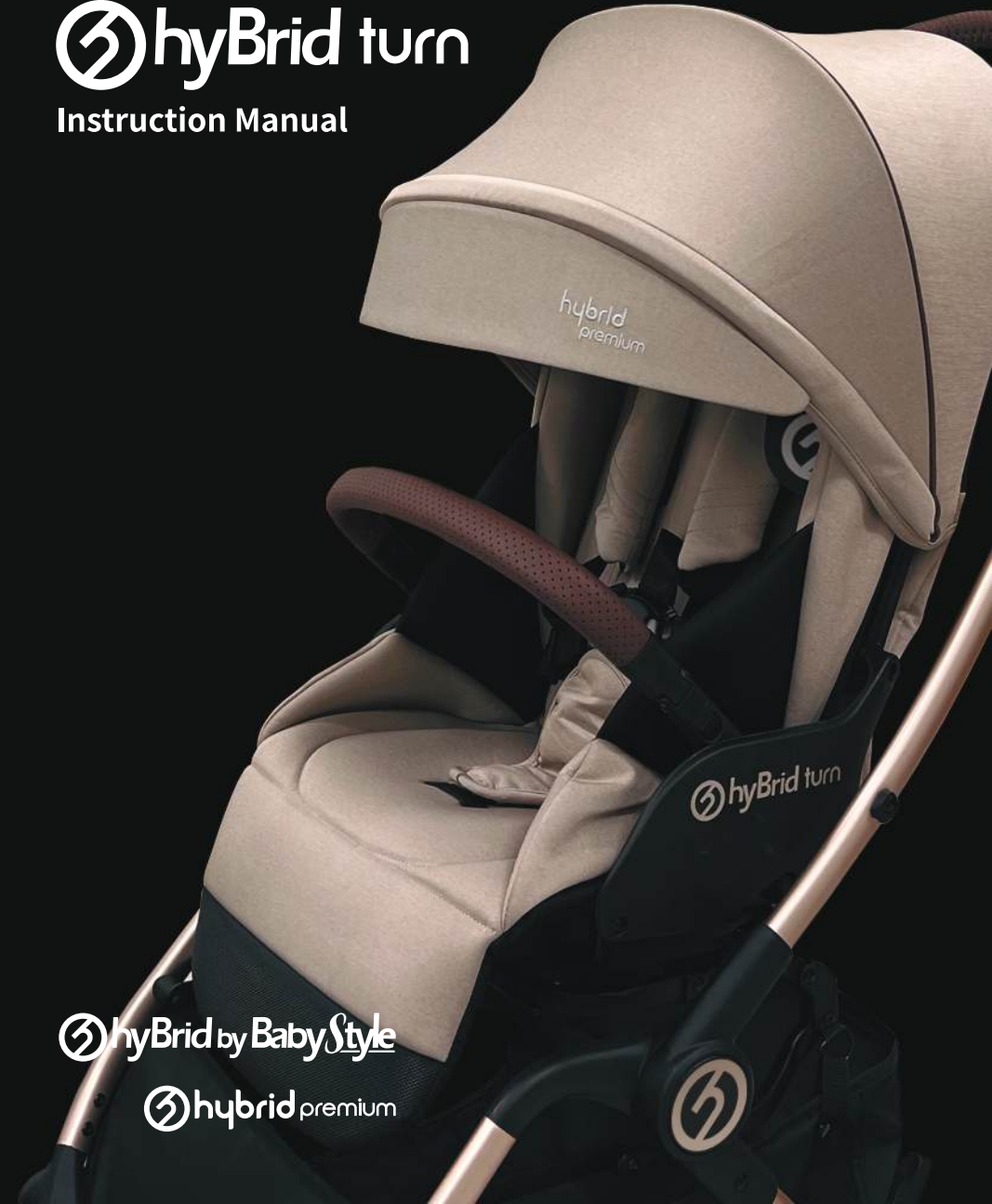
BabyStyle

BabyStyle UK Ltd
LE12 7RJ UNITED KINGDOM

Hybrid International Company Limited
Contact: cs@alliedchamp.com
www.hybridbybabystyle.com

 hyBrid by BabyStyle

 hybrid premium





Contents

| | |
|---|-------|
| • IMPORTANT SAFETY INFORMATION | 4 |
| • PRIMARY FEATURES | 5 |
| • FITTING AND REMOVING OF FRONT WHEELS | 6 |
| • FITTING AND REMOVING OF REAR WHEELS | 6 |
| • LOCKING AND UNLOCKING THE FRONT SWIVEL WHEELS | 7 |
| • OPENING THE CHASSIS WITH THE SEAT UNIT FITTED | 7-8 |
| • FOLDING THE CHASSIS WITH THE SEAT UNIT FITTED | 9 |
| • USING THE PARKING BRAKE | 10 |
| • FITTING / REMOVING THE BUMPER BAR | 10 |
| • FITTING THE SEAT UNIT | 10 |
| • REMOVING THE SEAT UNIT | 11 |
| • ADJUSTING THE SEAT UNIT BACKREST | 11 |
| • ADJUSTING THE LEG REST | 12 |
| • HOOD / SUN CANOPY | 12-13 |
| • USING THE RESTRAINT SYSTEM | 14-15 |
| • TURN THE SEAT | 15 |
| • CARE AND MAINTENANCE | 16 |
| • WARRANTY | 17 |

IMPORTANT SAFETY INFORMATION

IMPORTANT-Keep these instructions for future reference. Your child's safety maybe affected if you do not follow these instructions.

WARNING:

1. The stroller is suitable for children from birth to 22kg or up to 4years, whichever comes first.
2. The maximum load weight of the basket is 2kg. Excessive weight in the basket (or items placed in the basket that exceed the height of the sides) may cause damage.
3. All handling and assembly must be performed by an adult.
4. It is important that any person intending to use this vehicle fully understands the instructions.
5. Read instructions before assembly.
6. If the recommendation in this manual are not followed, the child's safety may be affected.
7. Any load attached to the handle and/or bumper bar and/or on the back of the backrest and/or on the sides of the vehicle will affect the stability of the vehicle.
8. Always use the restraint system in combination with the seat unit.
9. This vehicle has been designed for one child, do not attempt to carry more than one child in this vehicle.
10. Incorrect assembly, folding or use of this vehicle may cause damage and affect the safety of the vehicle. Never overload the vehicle; Always place articles in the center of the shopping tray provided.
11. Never leave your child unattended.
12. Ensure that all locking devices are engaged before use.
13. The use of the most reclined seat position is recommended for newborns.
14. Never leave the vehicle without first engaging the parking device. Avoid uphill or downhill parking. Do not use the vehicle on steps, stairs or escalators, as it may be at risk.
15. This product is not suitable for running or skating.
16. Do not use replacement parts other than those supplied by the manufacturer or distributor.
17. To avoid injury ensure that your child is kept away when unfolding and folding this product.
18. Do not let your child play with this product.
19. All references to left and right are given from the perspective of a person standing in the pushing position.
20. This vehicle can not replace a cot or a bed. Should your child need to sleep, then it should be placed in a suitable pram body, cot or bed.
21. Only use the turn seat unit, carrycot, accessories and carseats recommended by hybrid.
22. Always descend/mount kerbs on the back wheels, do not tip the stroller forward.
23. The parking device shall be engaged when placing and removing children.
24. Never allow the child to stand in the stroller.
25. Never allow children to lean forward the sides of the stroller. It could unbalance the stroller and make tip over.

26. Before using this product, remove all plastic bags and packaging material to avoid the risk of suffocation.
27. Do not use the stroller near an open fire, barbecue or flame.
28. Before using make sure you have all the parts correctly locked.
29. To avoid injury, make sure the child stays away and mind the fingers during the unfolding and folding of this product.
30. Always give attention to your child safety.
31. Check that the pram body or seat unit or car seat attachment devices are correctly engaged before use.

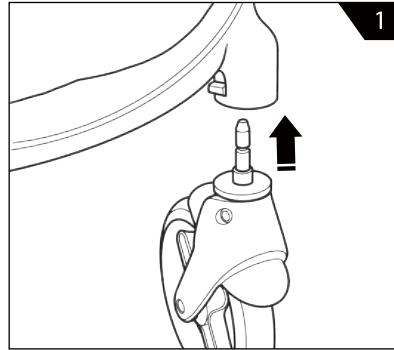
PRIMARY FEATURES



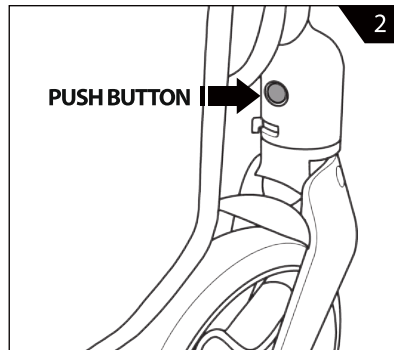
All references to left and right are given from the perspective of a person standing in the pushing position.

FITTING AND REMOVING OF FRONT WHEELS

1. Push the wheel unit onto the front wheel axle stub until it clicks into position.



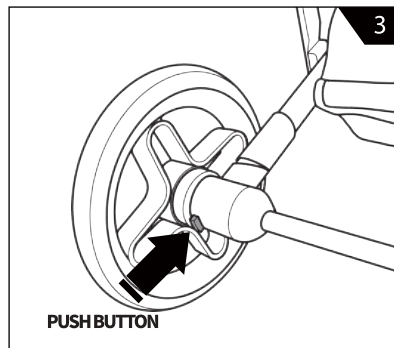
2. To remove the wheel; push in the release button on the back of the front wheel joint and pull out the wheel to release.



FITTING AND REMOVING OF REAR WHEELS

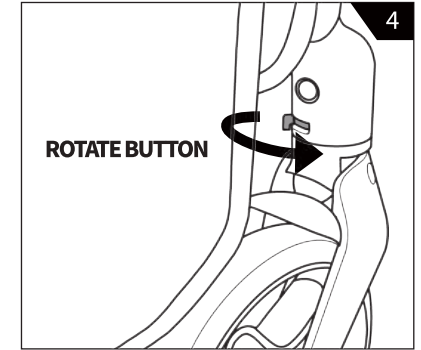
3. Push the wheel into the rear wheel housing until it clicks into position.

To remove the wheel; push in the release button on the bottom of the wheel hub and pull out the wheel to release.



LOCKING AND UNLOCKING THE FRONT SWIVEL WHEELS

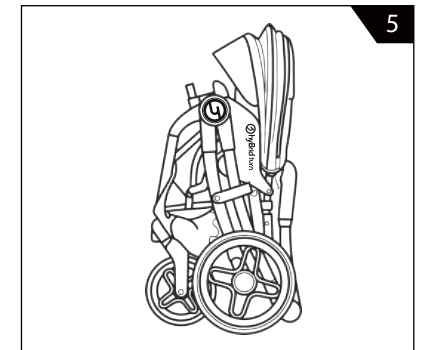
4. Rotate the swivel lock to the other side to lock or unlock the swivel wheel. When locked the front wheels will not be able to swivel and this may help when travelling over uneven surfaces (e.g cobbles).



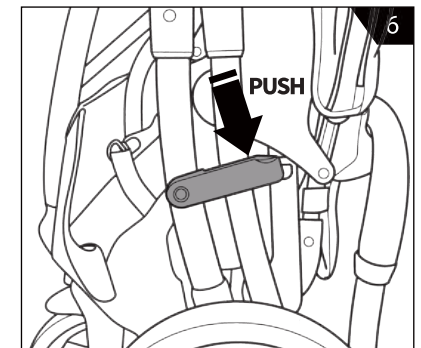
OPENING THE CHASSIS WITH THE SEAT UNIT FITTED

WARNING: To avoid injury ensure that children are kept away when unfolding and folding this product.

5. Place the chassis in the free standing position.

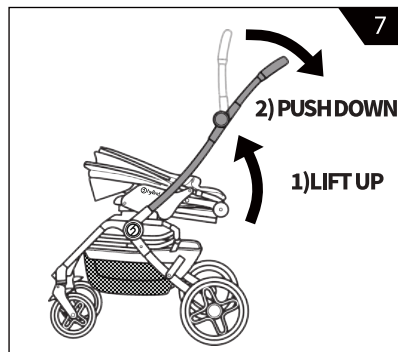


6. Stand behind the stroller so that the chassis locking clip is on the left hand side. Release the chassis locking clip by pushing the clip downward until it passes the block.



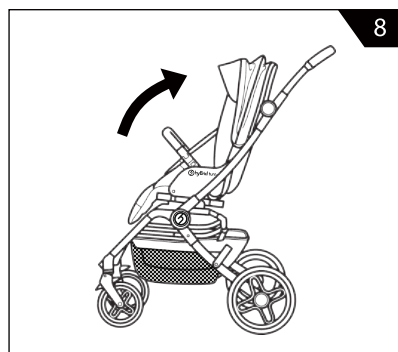
OPENING THE CHASSIS WITH THE SEAT UNIT FITTED (CONT)

7. Lift the handle up until the frame is secured and clicked in to place.

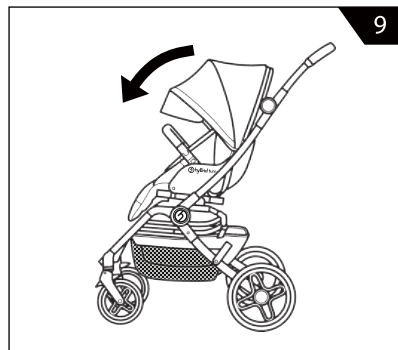


8. Lift up backrest until seat unit clicks into position. Pull the seat recline lever to further reposition the backrest (See section 18)

WARNING : Ensure the locking devices are engaged before use.



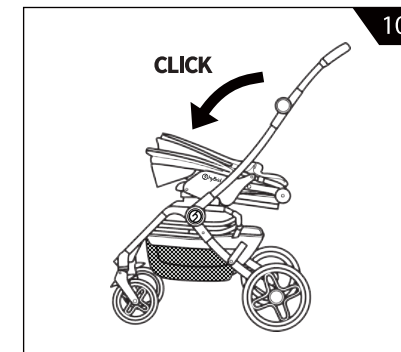
9. Push to open the canopy as shown.



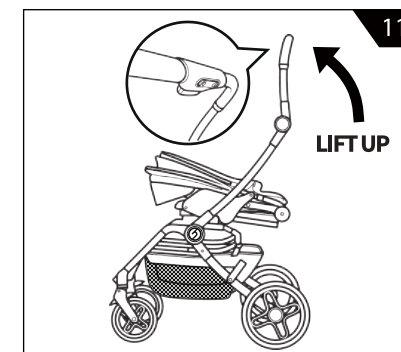
FOLDING THE CHASSIS WITH THE SEAT UNIT FITTED

WARNING: Ensure the child is well clear of moving parts and all items are removed from the shopping basket.

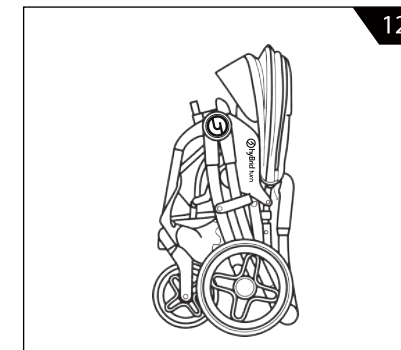
10. Pull the backrest lever (See section 18) and push the backrest forward to fold the seat. Press down the backrest until you hear a click.



11. Push the slider with your thumb and lift up the folding trigger until the frame disengages. Push the handle bar downward until the frame is folded and clicks.



12. When folded the frame will auto lock. Squeeze the chassis together if required so that the chassis locking clip locks into place. The folded chassis can now free-stand or lie flat.

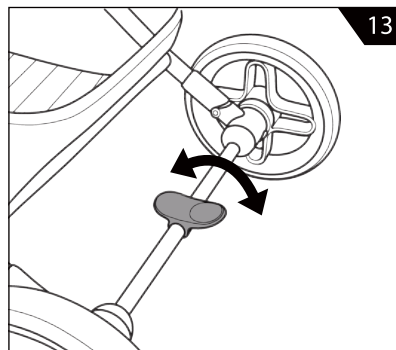


USING THE PARKING BRAKE

13. To engage the brake, firmly press down on the brake lever by your foot until you hear a click. To disengage the parking device, lift up the brake lever until you hear a click.

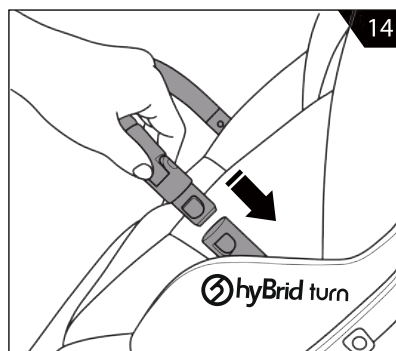
WARNING: Never leave the stroller without first engaging the brake.

WARNING: Always ensure that the parking brake is applied when placing and removing children.



FITTING / REMOVING THE BUMPER BAR

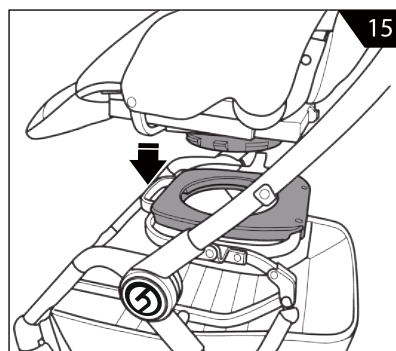
14. Push both ends of the bumper bar into the corresponding entry slots on the seat unit until the bumper bar locks into position. To remove the bumper bar, press in the bumper bar release buttons on either side underneath the entry slots on the seat unit.



FITTING THE SEAT UNIT

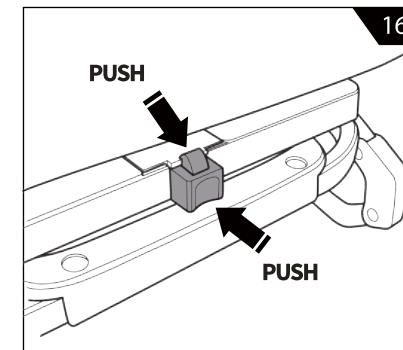
15. Align and insert the seat into the attachment device in the centre of the chassis.

Push down until the seat unit clicks and locks into position. Ensure the seat unit is locked in position by trying to pull the seat from the chassis. The seat unit can be fitted facing forwards or rearwards.

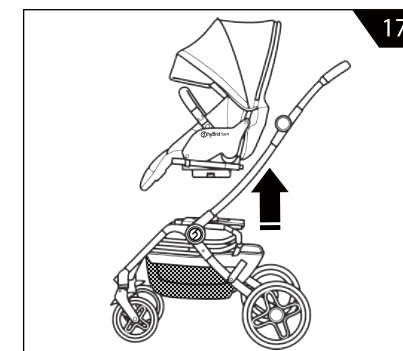


REMOVING THE SEAT UNIT

16. Press the small button above the square button on the back of the seat and press the square button below at the same time to unlock the seat.

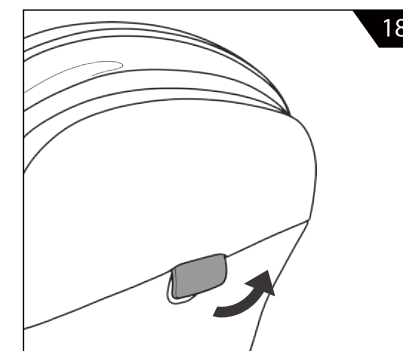


17. Gently hold the seat unit at the top of the backrest and with your other hand hold onto the bumper bar and lift up. This will release the seat from the attachment device.



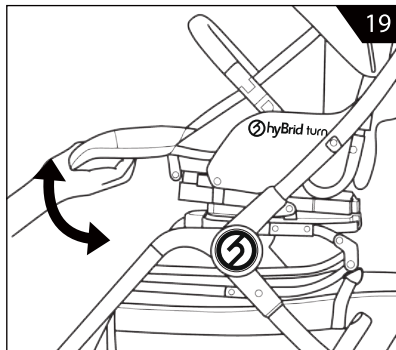
ADJUSTING THE SEAT UNIT BACKREST

18. Pull the lever at rear of the backrest and reposition to the required position. The seat backrest has three pre-set positions. When the seat backrest is in the required position, release the lever and the seat will lock into position.



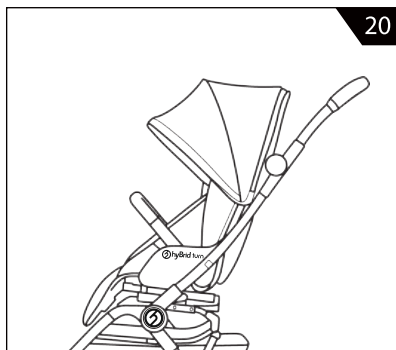
ADJUSTING THE LEG REST

19. To lower the leg rest lift up the lever under the leg rest. To raise the leg rest into higher positions, lift the leg rest and it will automatically click.

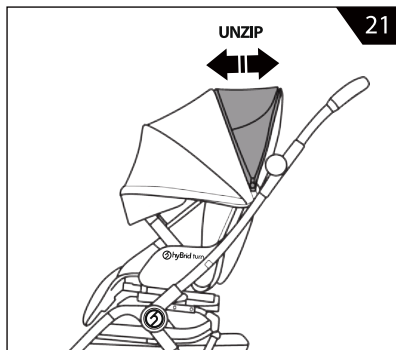


HOOD / SUN CANOPY

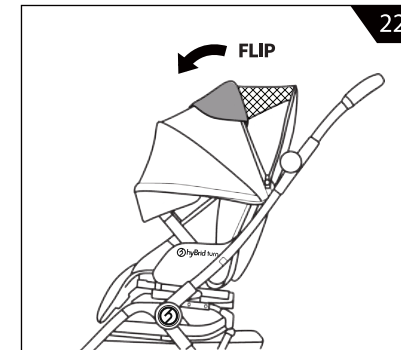
20. The seat unit has a multi-function hood that helps to protect your child from sun radiation. The hood is extendable, factor UV50+ protected and has a peek-a-boo ventilation window as well as a flip out sun visor.



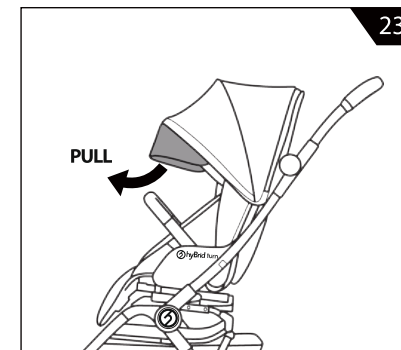
21. To extend the hood, unzip the Canopy Extension zipper.



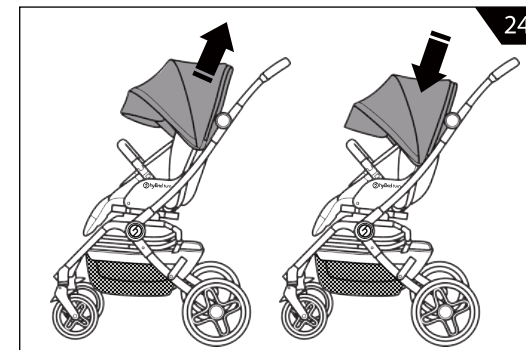
22. To utilise the peekaboo ventilation window, flip open the fabric of the panel.



23. The sun visor is neatly folded inside the front of the hood. Simply reach in and pull the visor and it will spring forward into position.



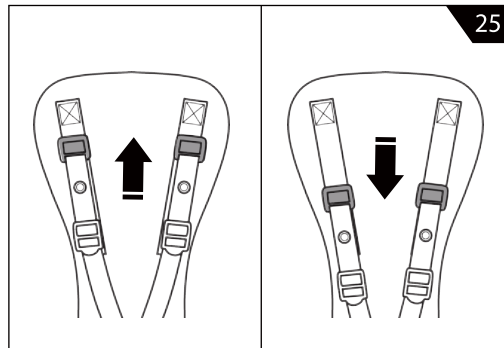
24. The height of the canopy can be adjusted to accommodate to the child's growth by pulling the canopy up while holding onto it firmly.



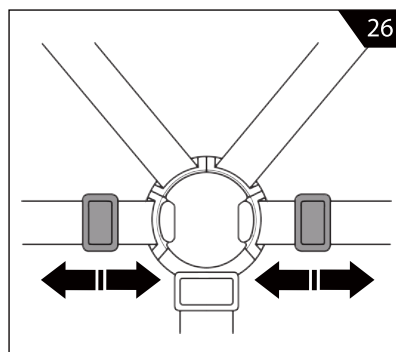
USING THE RESTRAINT SYSTEM

The restraint system(safety harness) has two shoulder straps, a circular waist belt and crotch strap.

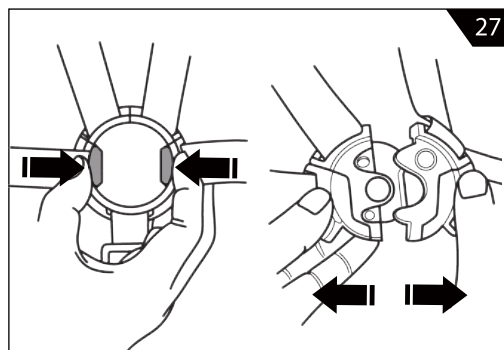
25. Push down the square rings to loosen the chest harness. Push up the square rings to tighten the chest harness.



26. Pull the waist belt outward to tighten the harness. Pull the waist belt inward to loosen the harness.



27. Press the grey buttons on both sides of the safety buckle to remove the cover. And separate the base to release.

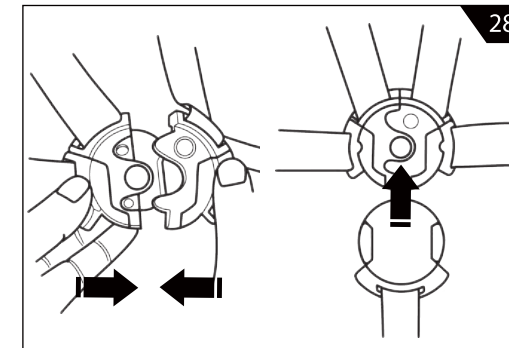


28. To buckle up, put the left and right parts of the buckle together, and then place the top connector over the combined parts.

WARNING: Ensure the buckle and connectors are fully engaged before use.

WARNING: Always use the crotch strap in combination with the waist belt.

ALWAYS USE THE SAFETY HARNESS

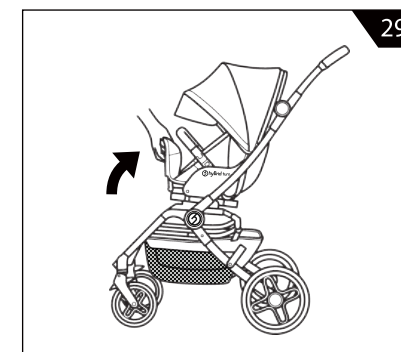


TURN THE SEAT

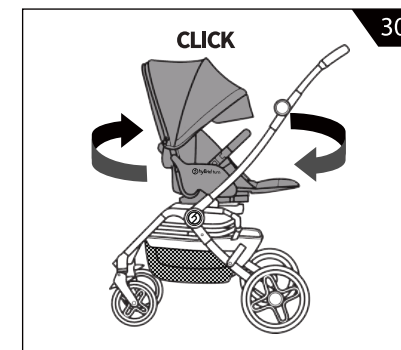
29. Lift up the leg rest and lift up the lever under the leg rest.

WARNING: Be sure to rotate the seat unit when the stroller is free from any object.

WARNING: Do not rotate the seat when your child is sitting on the stroller.



30. Turn the seat to the opposite direction until you will hear a click.



CARE AND MAINTENANCE

- Regularly check screws, rivets, bolts and fastenings to ensure they are locked tight and secure. Replace any parts in an inferior condition. When using this product during the winter, by the sea or off-road it is important to clean fresh water and dry thoroughly. Salt water and salt and grit from the roads will corrode metal parts unless removed.
- Check on a regular basis that all chassis locking devices are working correctly.
- If any part of the product is damaged, contact your local hybrid retailer immediately.
- Do not expose the product to excessive sunlight for extended periods of time. Even normal exposure to sunlight may cause change to the colour of the fabrics.
- Take care not to tear fabrics when transporting the product.
- Light oil or silicone spray can be used to lubricate moving parts. Use petroleum jelly to lubricate the front axle stubs. Periodically remove the front swivel wheel units to clean and lubricate using petroleum jelly.
- Ensure zips are either fully open or closed to prevent damage.
- Always use the rain cover in inclement weather.
- Do not place items on top of hood/canopy it could damage the fabrics or render the product unsafe.
- Tyres can leave marks on some surface such as vinyl flooring and carpet.
- Fabrics should be cleaned in accordance to the care labels.
- Do not place fabrics in a washing machine; hand wash or sponge clean only using a mild detergent and warm water (30°C).

Should you find a defect with this product:

Keep your original receipt of purchase safe with your warranty information as it will be required should you unfortunately find a defect. The receipt must show the date of purchase clearly. In the first instance you must contact the original place of purchase. Exchanging or returning the product cannot be requested. Repairs to any part of this product do not extend the warranty period. Do not return your product direct to the manufacturer.

Disclaimer:

Whilst we believe the information set out in this instruction manual to be correct and reliable at the time of print, we do not accept responsibility for its accuracy and we shall not be liable for its interpretation and its use. We reserve the right to change, modify add or delete product specifications at any time without prior notice.

WARRANTY

A stroller has many moving parts and requires regular maintenance by the user.

Simple cleaning and lubricating will make stroller look good & operate better for longer.

The stroller will be used in many different environments, country walks, a trip to the coast; a winter's walk to school, all can increase wear lead to rust and corrosion and reduce the life of the product.

Regular cleaning, care and maintenance will reduce the effects of the environment on the stroller.

The warranty does not protect the stroller against overloading, misuse, neglect or lack of care and maintenance by the user.

Hybrid provides a warranty in support of the retailer from whom you purchased this product. The warranty is effective for 1 year from the date of purchase for the original purchaser/owner.

Proof of purchase will (at the discretion of Hybrid) be required in order for your retailer to claim on the warranty.

The warranty excludes any fault caused by misuse, damage or neglect.

It is the user's responsibility to undertake routine inspection and maintenance of the vehicle in order to avoid damage to the vehicle and/or injury to the child.

The vehicle is returned to the retailer at the owner's expense in order to ascertain if a claim under the warranty is justified.

Please carefully read the instructions on how to look after your stroller. This does not affect your statutory rights.

WARNING:

- Overheating can endanger the life of you child! Take into account the ambient temperature and the child's clothing and ensure the child is not too cold or too warm.
- We recommend to ask a health professional for advice on safe sleeping.



目錄

| | |
|--------------|----|
| • 重要安全規範 | 20 |
| • 主要特點 | 21 |
| • 安裝及拆卸前輪 | 22 |
| • 安裝及拆卸後輪 | 22 |
| • 前輪轉向及直行 | 23 |
| • 展開車架(含座椅布) | 23 |
| • 收折車架(含座椅布) | 25 |
| • 煞車使用方式 | 26 |
| • 安裝及拆卸前扶手 | 26 |
| • 安裝座椅 | 26 |
| • 拆卸座椅 | 27 |
| • 躺背角度調整 | 27 |
| • 腳踏折彎角度調整 | 28 |
| • 遮陽篷 | 28 |
| • 五點式安全帶使用方式 | 30 |
| • 旋轉座椅 | 31 |
| • 保養及維修 | 32 |
| • 保固 | 33 |
| • 維修保固服務 | 34 |

注意：請保留此份說明書作日後參考

1. 此推車適用新生兒到15公斤以下孩童。
2. 置物籃最大承重 2 公斤。請勿超載或放置超過置物籃高度的物品，可能會導致推車或置物籃損壞。
3. 所有操作及組裝必須由成人操作。
4. 任何打算使用該車輛的人都必須充分理解這些說明。
5. 使用前請務必先閱讀說明書並保留此份說明書，放置於安全位置作日後參考。
6. 不按照說明書操作可能會影響孩童安全。
7. 請勿在手把或前扶手上吊掛物品，請勿在此之上或座椅後背或推車兩側放置物品，會影響推車穩定性。
8. 隨時都必須使用五點式安全帶。
9. 此推車僅可承載一個小孩，請勿承載超過一個以上的孩子以避免危險。
10. 使用本推車前，請確保推車及座椅均安裝正確，錯誤的組裝、收折及使用不正確都有可能造成推車的損壞及影響安全性。請將購物籃中的物品放在提供的中央位置。
11. 請勿讓孩童單獨在推車上，無人看管。
12. 請確認所有鎖定裝置已定位。
13. 建議新生兒調整為平躺位置。
14. 靜止狀態時請務必使用煞車。避免在上坡或下坡停車。請勿在樓梯、台階、扶梯上使用推車，可能會造成危險。
15. 此推車不適合溜冰或跑步。
16. 請勿使用非原廠的零配件以便避免危險。
17. 孩童在推車上，請勿往上搬動或是高舉車台，可能會有危險。
18. 收折推車時，請讓孩子遠離推車。
19. 所有左右的參考都是以站在推車位置的人的觀點給出的。
20. 推車本身無法取代睡箱或是床，如果孩子需要睡覺，請將他放在床上或睡箱內。
21. 只使用hybrid推薦的推車推車座、搖籃、配件和汽車座。
22. 上下路邊梯級時請使用後輪，不要向前傾斜推車。
23. 在放置和移除孩子時，請啟用停車裝置。
24. 請勿讓孩童站立在推車上。
25. 請勿讓孩子向推車的側面倚靠。這可能會使推車失去平衡並翻倒。

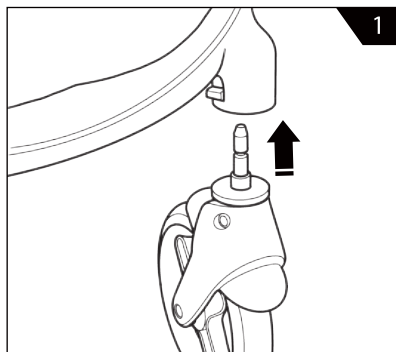
26. 使用本推車前，請移除所有塑料袋及包裝物料，已避免窒息。
27. 請勿靠近火源。
28. 使用前請確保所有零件都正確鎖定。
29. 為了避免受傷，在展開和摺疊本產品時，請確保孩子保持遠離並小心手指。
30. 孩童的安全是您的責任。
31. 在使用前檢查嬰兒推車或座椅或汽車座附件是否正確鎖定。

主要特點



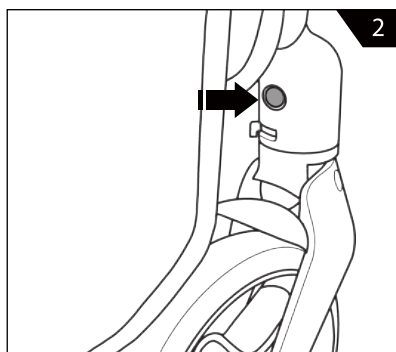
安裝前輪

1. 在前輪上找到前輪軸心，並把它推進前輪輪軸桿上，使用前請先確認前輪已經安裝固定完成。



拆卸前輪

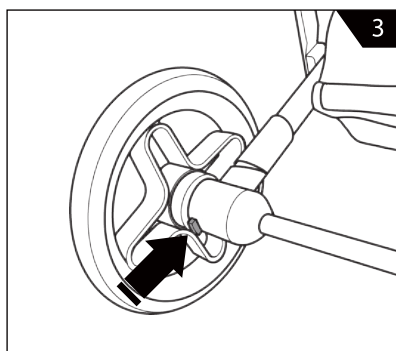
2. 在前輪座後方按下鬆脫鈕將前輪脫離前輪座。



安裝 / 拆卸後輪

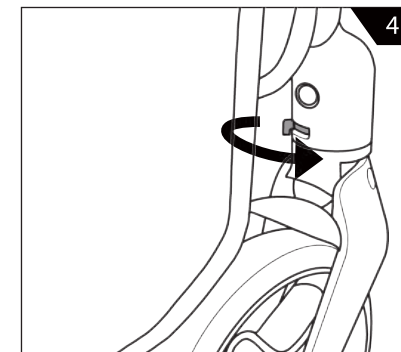
3. 安裝：將後輪直接插入後輪孔內，直到後輪確認已固定在後輪軸上。

拆卸：按下後輪座上按鈕以解鎖後輪。然後將後輪往外取出，脫離車架。



前輪轉向及直行

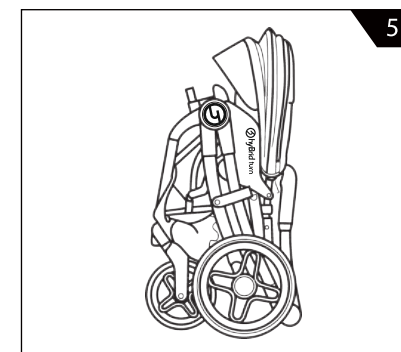
4. 前輪有旋轉及直行兩種模式。推動前輪鎖定滑鈕即可將前輪固定直行或將前輪360度旋轉。



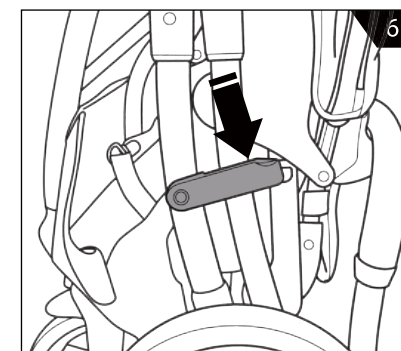
展開車架 (含座椅布)

5. 將車台直立於地面上。

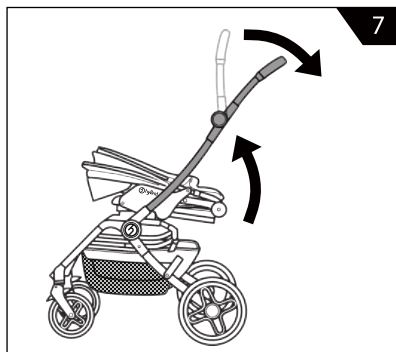
警告：為了避免受傷，在收折及展開本產品時，請務必讓孩子遠離。



6. 打開推車前，請確認後輪已煞車。站在推車後方，推車收車扣會在您的左邊，將收車扣往下推。

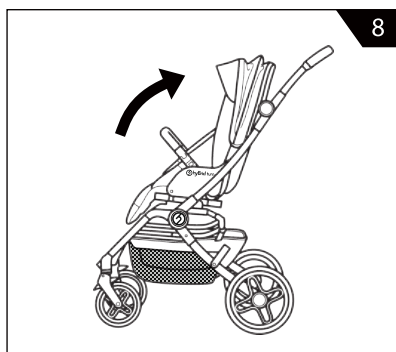


7. 將推車把手往上提，直到推車完全打開定位。打開推車後，請將推車把手往下壓，以便檢查推車已經是否完全展開。

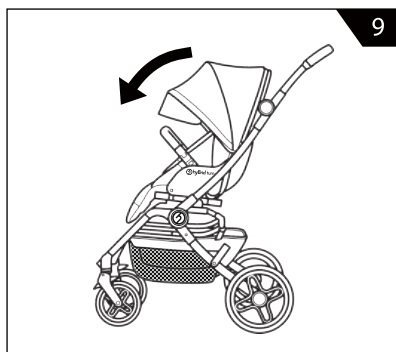


8. 順勢將座椅提起到定位位置，再將躺椅角度調整到所需位置。
(可參考步驟18)。

警告：使用前，請確認所有卡榫都已到定位。



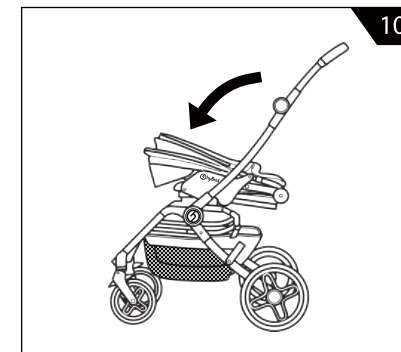
9. 如圖示，將遮陽篷往前拉至定位。



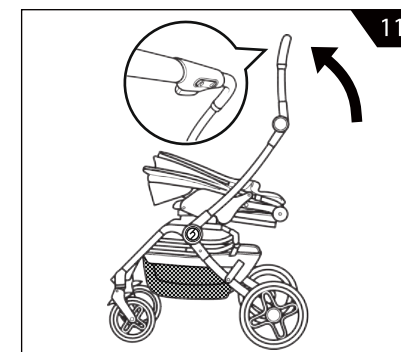
收折車架 (含座椅布)

10. 拉動靠背控制桿(見第18節)，將靠背向前推，以摺疊座椅。按下靠背直到聽到一聲喀嚓聲。

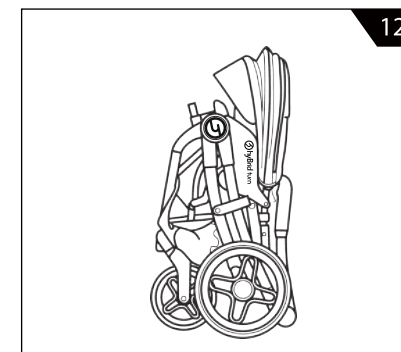
警告：請確保孩童已遠離推車，置物網籃內的東西也已清空。



11. 拉動靠背控制桿(見第18節)，將靠背向前推，以摺疊座椅。按下靠背直到聽到一聲喀嚓聲。



12. 摺疊時，框架將自動鎖定。需要時將車身擠在一起，使推車收車扣鎖入位。摺疊的現在可以自由站立或平放。

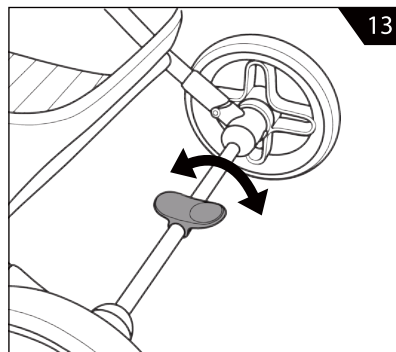


煞車使用方式

13. 煞車時，請用腳往下踩位於後輪中間的剎車踏板。解開煞車時，用腳抬起煞車踏板直至車台移動自如。

警告：離開車台鬆開把手前，請確保車台已處於煞車狀態。

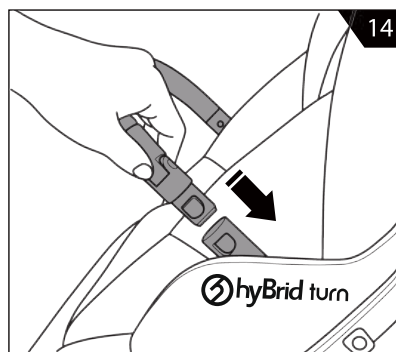
警告：將孩子置於或抱出推車時，請務必使用煞車。



安裝及拆卸前扶手

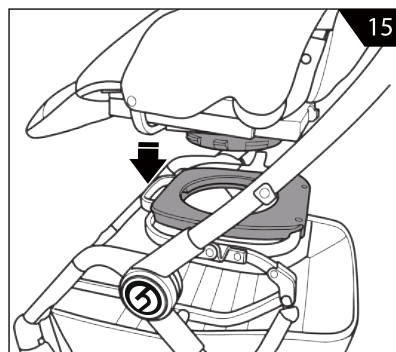
14. 安裝：把前扶手插入前扶手連接點。

拆卸：按下前扶手側面的釋放按鈕，再將前扶手從推車上取出。



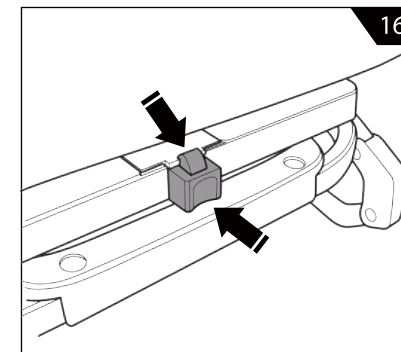
安裝座椅

15. 將座椅附件對準底盤中央軸上的中央孔。向下壓直到坐椅發出咔嗒聲並鎖入位置。從底盤拉出座椅，並確認座椅已鎖定在位。座椅可面向前方或後方安裝。

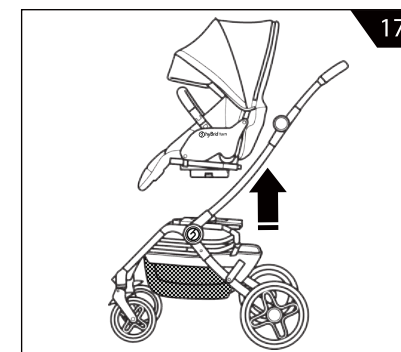


拆卸座椅

16. 按下座椅背面方形按鈕上方的小按鈕，同時按下下方的方形按鈕以解鎖座椅。

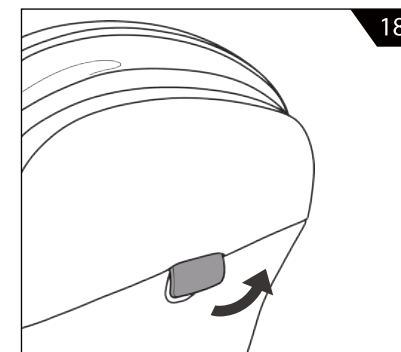


17. 輕輕地用一手抓住座椅背部頂部，另一手抓住護欄，向上提起。這將使座椅從附件裝置中釋放出來。



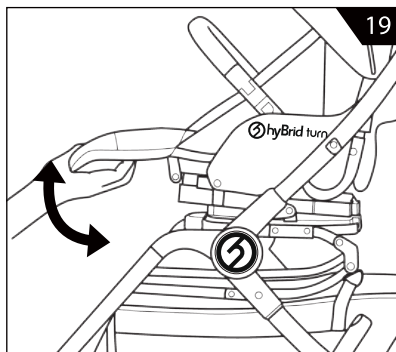
躺背角度調整

18. 用手指扳開躺背上方調整器，往上或往下調整至所需躺背角度。躺背有三段角度可調整，請注意調整到所需位置時，鬆開上方調整器，並確認兩邊已定位到所需位置。



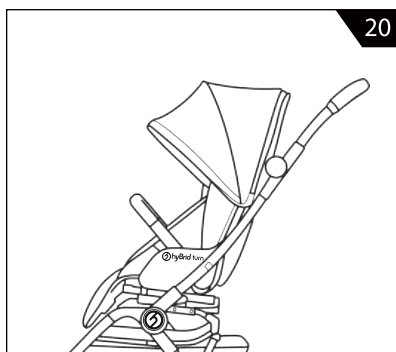
腳踏折彎角度調整

19. 把腳踏板提起，腳踏板會自動停在所需位置。腳踏板升至最高位置後即可往下調節角度。

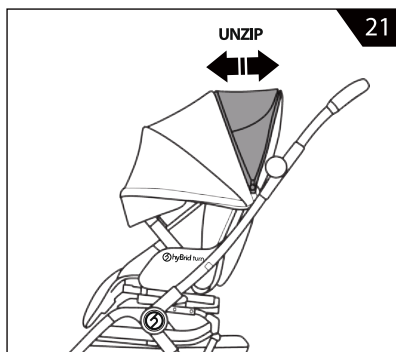


遮陽篷

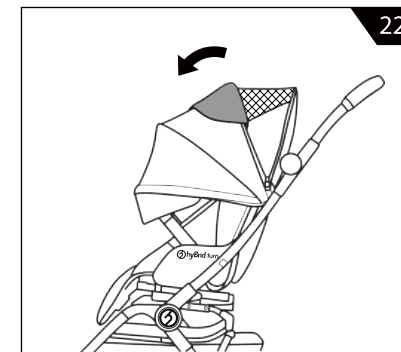
20. 推車遮陽篷可多功能使用，可拉開拉鍊往前延伸遮陽篷，使用抗 UV50+ 高防曬的材質，也可讓您跟孩子有躲貓貓的互動。



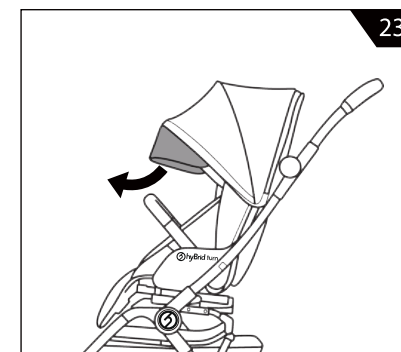
21. 先將遮陽篷中間的拉鍊拉開，拉住遮陽篷前緣將延伸片拉開。



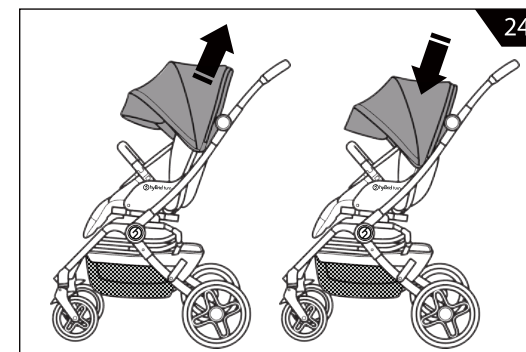
22. 拉開親子窗，可讓您跟孩子有躲貓貓的互動。



23. 前緣半遮陽片往外拉出即可，也可將其往內收折。可依需求將前緣半遮陽片與遮陽篷中間的拉鍊拉開，將整片遮陽片移除。

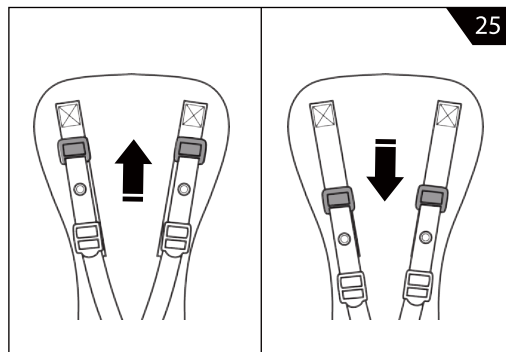


24. 遮陽篷的高度可以通過牢牢握住它並向上拉動來調整，以適應孩子的成長。

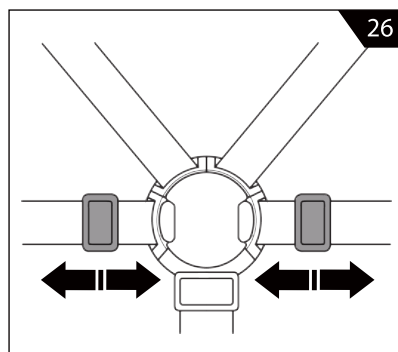


五點式安全帶使用方式

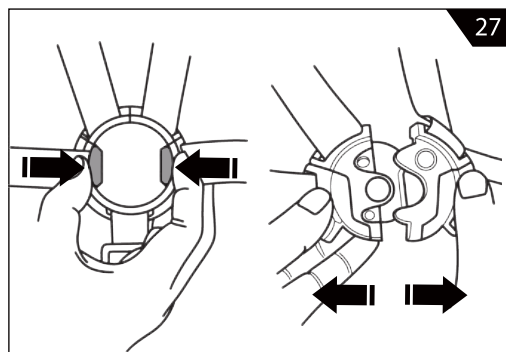
25. 安全帶含兩條肩帶，一個環形腰帶和一條前跨帶。
方形環扣可用以調整肩帶長度。



26. 向外或向內拉動腰帶可以調整環型腰帶長度。



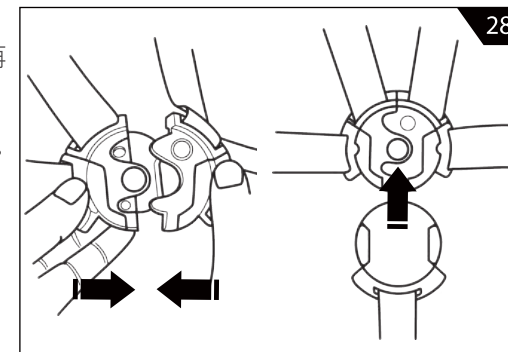
27. 若要鬆開安全帶，按壓安全母扣左右兩側按鈕即可。



推車教學影片

28. 將左右兩側扣具用力推入中央扣帶，將肩帶與腰帶安裝至正確連接器，再扣上中間安全母扣。

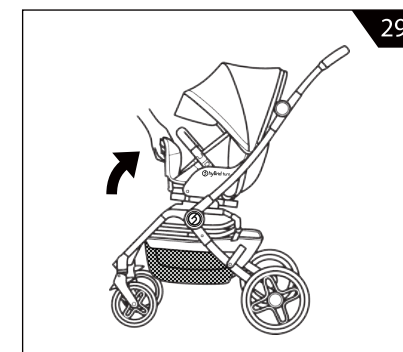
警告：前跨帶務必與腰帶肩帶共同使用。
警告：務必要使用安全帶。
警告：務必確保安全帶有正確繫上。



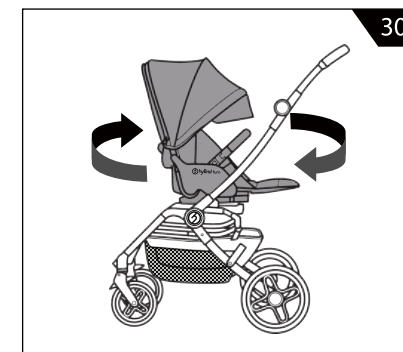
旋轉座椅

29. 提起腳踏，並扳開腳踏下方的拉柄。

警告：務必空車時才旋轉座椅。
警告：孩童在推車上時請勿旋轉座椅。



30. 將座椅轉向相反的方向，直到聽到一聲喀嚓聲。



- 定期檢查您的推車，是否功能都正常使用。
- 若您的推車有所受損，請與購買的hybrid premium經銷商聯絡，進行後續售後維修。
- 建議不要讓推車長時間曝曬在陽光下，正常的戶外使用，也有可能造成布料上的顏色變化。
- 請確認拉鍊已完全拉開或是拉上。
- 大晴天請勿使用雨罩。
- 請勿在遮陽篷上方放置物品，以免造成遮陽篷的損害。
- 輪胎可能在某些地面上留下痕跡，推車不用時，請收折起來。
- 定期的保養檢查才能使推車功能穩定，若是遇到推車無法收折或是難以收折的情況，請勿強行收折，請與購買的經銷商聯絡。
- 輪胎保養：可用濕布擦拭輪子，再用軟乾布擦乾。若您聽到車子發出異音，可以自行先上點潤滑油，或是向原購買經銷商洽詢。
- 清潔座布：請依座布上清洗標示做清潔，建議手洗，請勿乾洗、漂白、烘乾、熨燙。
- 拆裝座布前，請記得每個部位扣住的順序，方便之後裝回去的程序。

如果您發現本產品有缺陷：

請將原始購買收據和保修信息安全保管，因為如果不幸發現缺陷，您將需要提供這些文件。收據必須清楚顯示購買日期。首先請聯繫原始購買地點。恕不接受更換或退貨。對本產品的任何部分進行的維修不會延長保修期。請勿直接將產品退回給製造商。

免責聲明：

雖然我們相信本說明書中提供的信息在印刷時是正確和可靠的，但我們不承擔其準確性的責任，並且對其解釋和使用不承擔責任。我們保留隨時更改、修改、增加或刪除產品規格的權利，而無需事先通知。

保固期限

- 自購買日起 2 年。進行售後維修服務時，必須提供該產品蓋有經銷商店章以及購買日期的保固卡，使得享有服務。

非保固範圍

- 保固期內若因維修所產生的物流費用不包含在保固範圍內，須由客戶自行負擔。
- 保固卡資料不完全（如：未加蓋經銷商店章）、遺失、塗改、不實等情形，本保固卡視為無效。
- 自行（或委託他人）變更、拆修、改裝產品或附加其他物件，所引起之故障與損壞。
- 天災地變（如地震、颱風、火災、電擊、電壓異常...等）及環境因素（如硫磺氣、化學、油污、鼠害、蟲害...等）不可抗力之自然災害因素，所引起之損壞或故障。
- 因人為不當使用（如人、動物等外力破壞、錯誤操作使用、安裝後自行搬運...等）所引起之故障或損壞。
- 產品本體內、外之消耗性零件及附配件，包括但不限於安全帶、座布、輪胎、前扶手、皮革手把套、蚊帳、雨罩等，皆視為正常使用下須更換之耗材，故無法予以保固。
- 本公司將盡力提供正確與即時資訊，但仍然難以避免技術上或文字上之疏漏，同時我們保留不另行通知即隨時變更與修改之權利，如有造成困擾，我們深感抱歉。

當產品在保固期間內發生問題時，在符合維修條件下，請向您原購買的經銷商聯絡維修事宜。

若有其他疑問，也歡迎致電到台灣原廠直營中心：

Premium baby英悅寶股份有限公司

電話: 02-86600085

Email: premiumbaby.tw@gmail.com



粉絲專頁



官方網站



LINE@



YouTube

Indonesia Sole Distributor

PT Diamulia Internusa
Komplek Pergudangan Arcadia G11/8
Batu Ceper. Tangerang 15122.
Tel. 02129006175

Thailand Sole Distributor

Babysark (Thailand) Co., Ltd.
Address: 58/29-32 Ramintra Road, Kannayao, BKK
Contact No.: 02-103-6769
www.babystyleth.com