

| Language | Page |
|----------|---------|
| EN | P.2-21 |
| TCN | P.22-40 |

core II premium

Instruction Manual



Hybrid keeps evolving
Hybrid without compromise

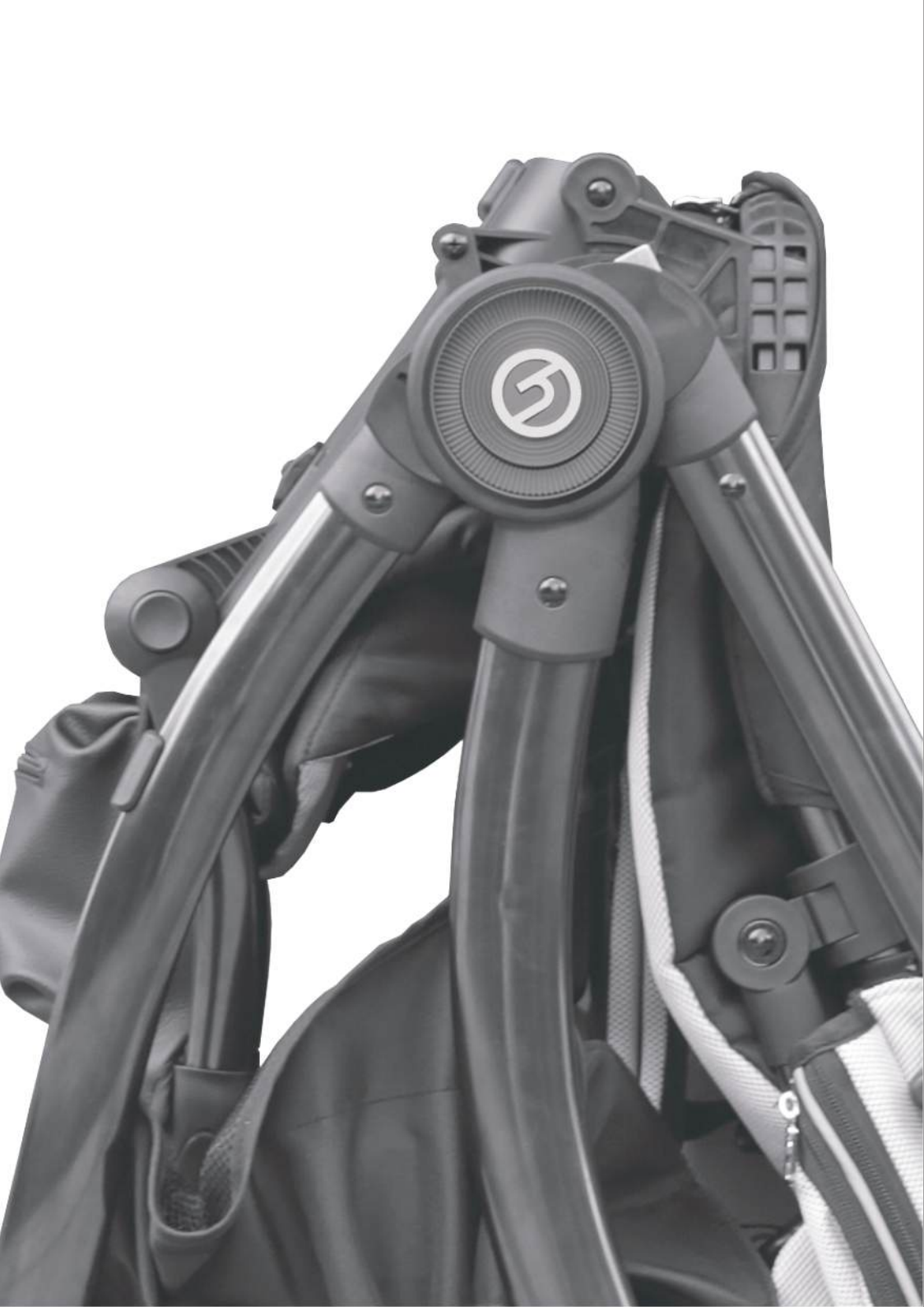
BabyStyle

BabyStyle UK Ltd
LE12 7RJ UNITED KINGDOM

Hybrid International Company Limited
Contact: cs@alliedchamp.com
www.hybridbybabystyle.com

 hybrid premium





Contents

Page

| | |
|---|-------|
| • Important Safety Information | 3 |
| • Primary features | 4 |
| • Fitting and Removing of Front Wheels | 5 |
| • Fitting and Removing of Rear Wheels | 5 |
| • Locking and Unlocking the Front Swivel Wheels | 6 |
| • Opening the Chassis with the Seat Unit Fitted | 6-7 |
| • Folding the Chassis with the Seat Unit Fitted | 8-9 |
| • Folding the Chassis with the Seat Unit / Carrycot / Car Seat Removed | 9 |
| • Adjusting the Handle Height | 10 |
| • Using the Parking Brake | 10 |
| • Fitting / Removing the Bumper Bar | 10 |
| • Fitting the Seat Unit | 11 |
| • Removing the Seat Unit | 11 |
| • Adjusting the Seat Unit Backrest | 11 |
| • Adjusting the Leg Rest | 12 |
| • Hood / Sun Canopy | 12-14 |
| • Using the Restraint System | 14 |
| • Fitting the Stroller Rain Cover | 15 |
| • Assembling the Carrycot | 15 |
| • Fitting the Carrycot Apron | 15 |
| • Fitting the Carrycot to the Chassis | 16 |
| • Removing the Carrycot | 17 |
| • Adjusting the Carrycot Hood | 17 |
| • Fitting the Carrycot Rain Cover | 17 |
| • Fitting the Footmuff | 18 |
| • Fitting the Infant Car Seat using the Multi Adaptors | 18 |
| • Removing the Infant Car Seat from the Chassis when fitted with the Multi Adaptors | 19 |
| • Care and Maintenance | 20 |
| • Warranty | 21 |

IMPORTANT SAFETY INFORMATION

IMPORTANT - Keep these instructions for future reference. Your child's safety maybe affected if you do not follow these instructions.

1. It is important that any person intending to use this vehicle fully understands the instructions.
2. **WARNING: Always use the restraint system in combination with the seat unit.**
3. This vehicle has been designed for one child, do not attempt to carry more than one child in this vehicle.
4. **WARNING: Incorrect assembly, folding or use of this vehicle may cause damage and affect the safety of the vehicle. Never overload the vehicle; Always place articles in the center of the shopping tray provided.**
5. **WARNING: A child's safety is your responsibility.**
6. **WARNING: Never leave your child unattended.**
7. **WARNING: Ensure that all locking devices are engaged before use.**
8. This vehicle is intended for children from birth to a maximum weight of 22kg.
9. The use of the most reclined seat position is recommended for newborns.
10. Do not use accessories that are not approved by the manufacturer.
11. **WARNING: Any load attached to the handle affects the stability of the vehicle.**
12. **WARNING: Never leave the vehicle without first engaging the parking device. Avoid uphill or downhill parking. Do not use the vehicle on steps, stairs or escalators, as it may be dangerous to your child.**
13. **WARNING: Never completely lift or carry this stroller while occupied. Your child's safety may be at risk.**
14. **WARNING: This product is not suitable for running or skating.**
15. Check on a regular basis to make sure that all essential components & locking devices are functioning correctly.
16. Do not use replacement parts other than those supplied by the manufacturer or distributor.
17. **WARNING: To avoid injury ensure that your child is kept away when unfolding and folding this product.**
18. **WARNING: Do not let your child play with this product.**
19. All references to left and right are given from the perspective of a person standing in the pushing position.
20. This vehicle can not replace a cot or a bed. Should your child need to sleep, then it should be placed in a suitable pram body, cot or bed.

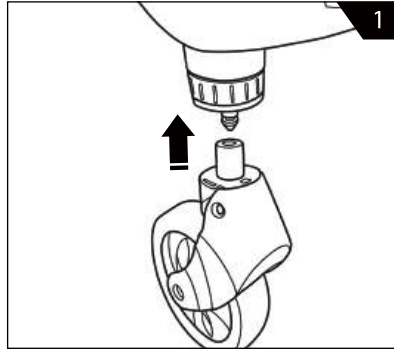
PRIMARY FEATURES



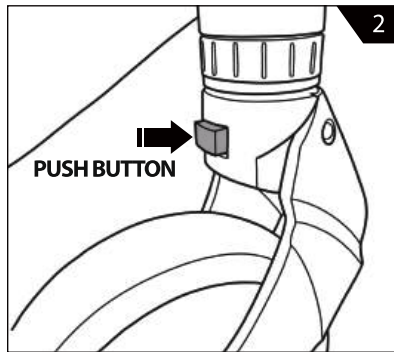
All references to left and right are given from the perspective of a person standing in the pushing position.

FITTING AND REMOVING OF FRONT WHEELS

1. Push the wheel unit onto the front wheel axle stub until it clicks into position.

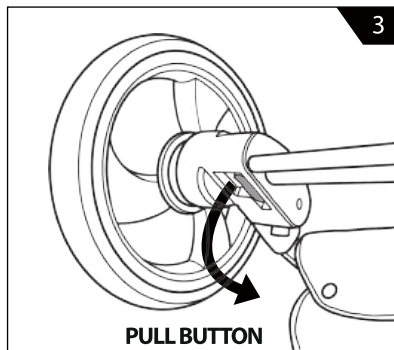


2. To remove the wheel; push in the quick release button on the back of the front wheel joint and pull the wheel away from the axle.



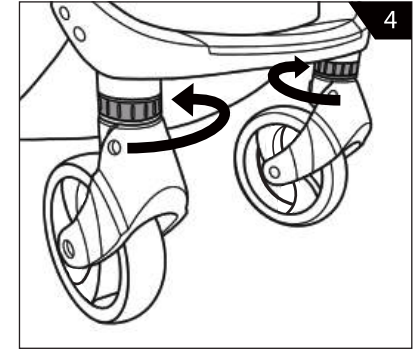
FITTING AND REMOVING OF REAR WHEELS

3. Lift the button on the rear wheel housing and push the wheel into the rear wheel housing; release the button and the wheel should lock in position.
To remove; lift the button on the rear wheel housing and pull the wheel away from the wheel housing.



LOCKING AND UNLOCKING THE FRONT SWIVEL WHEELS

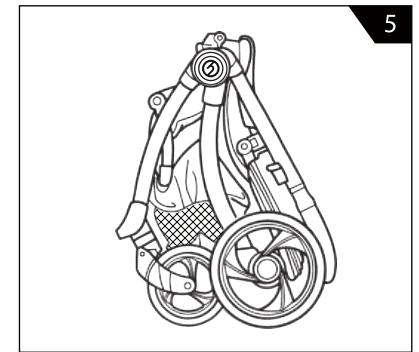
4. Rotate the switch left or right on the front wheel joint to lock or unlock the swivel wheel. When locked the front wheels will not be able to swivel and this may help when travelling over uneven surfaces (e.g cobblestones).



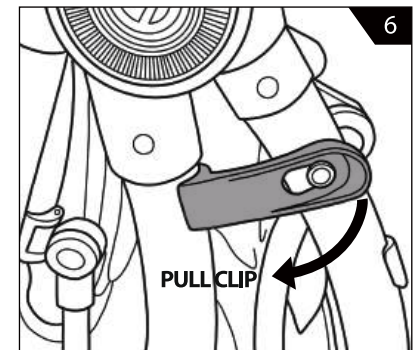
OPENING THE CHASSIS WITH THE SEAT UNIT FITTED

WARNING: To avoid injury ensure that children are kept away when unfolding and folding this product.

5. Place the chassis in the free standing position.

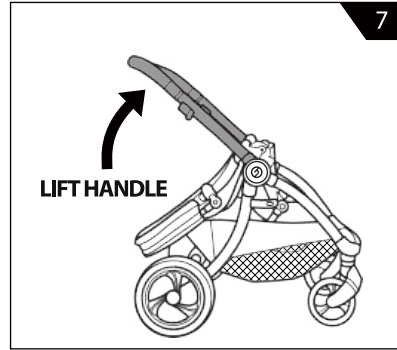


6. Ensure that the brake is applied. Stand behind the stroller so that the chassis locking clip is on the left hand side. Release the chassis locking clip by pulling the clip away from the frame.



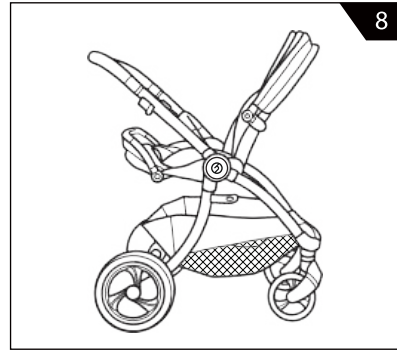
OPENING THE CHASSIS WITH THE SEAT UNIT FITTED (CONT)

7. Lift the handle until it clicks into its correct position.



8. Lift up backrest until seat unit clicks into position. Pull the seat recline lever to further reposition the backrest (see section 21)

WARNING: Ensure the locking devices are engaged before use.



9. Push to open the canopy as shown.

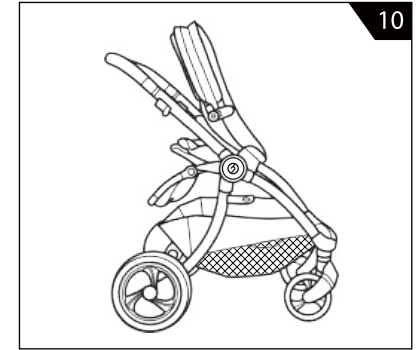


FOLDING THE CHASSIS WITH THE SEAT UNIT FITTED

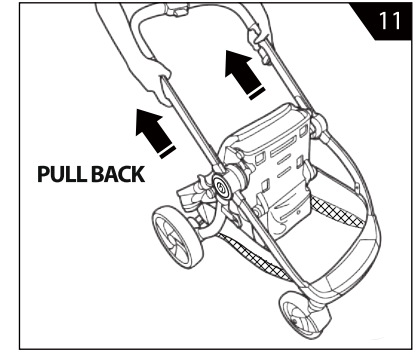
WARNING: Ensure the child is well clear of moving parts and all items are removed from the shopping basket.

The stroller will fold with the seat unit both forward facing & rearward facing.

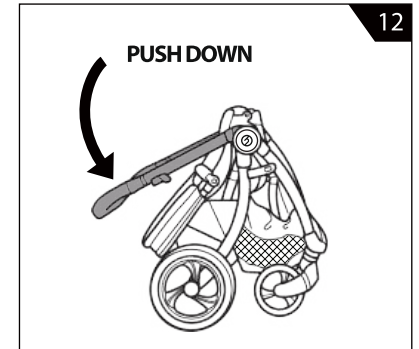
10. To fold the chassis with the seat unit rearward facing: Apply the brake. Hold the leg rest, lift lever on the seat back and bring down the seat-back to meet the foot rest. When the backrest and leg rest meet, rotate the whole seat unit to the back of the stroller.



11. While standing in the push position, simultaneously pull back the sliders on each side of the chassis.



12. Push the handle all the way down to the rear wheels.

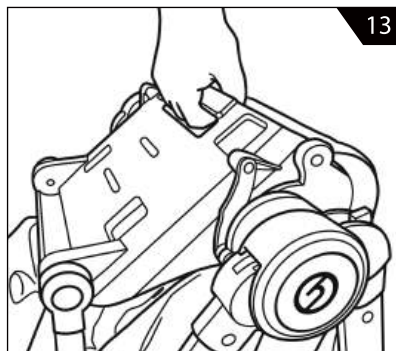


FOLDING THE CHASSIS WITH THE SEAT UNIT FITTED (CONT)

13. Squeeze the chassis together if required so that the chassis locking clip locks into place. The folded chassis can now free-stand or lie flat.

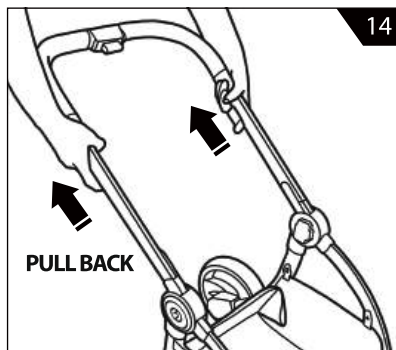
To fold the chassis with the seat unit forward facing: Apply the rear brake. Lift the lever on the seat back. Push the seat-back forward and the bumper bar and leg rest will automatically collapse to the front of the stroller. While standing in the push position, simultaneously pull back the sliders on each side of the chassis and push the handle all the way down to the rear wheels.

Squeeze the chassis together if required so that the chassis locking clip locks into place. The folded chassis can now free-stand or lie flat.

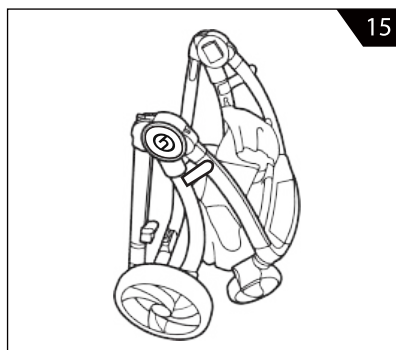


FOLDING THE CHASSIS WITH THE SEAT UNIT / CARRYCOT / CAR SEAT REMOVED

14. Apply the brake while standing in the push position, simultaneously pull back the sliders on each side of the chassis.

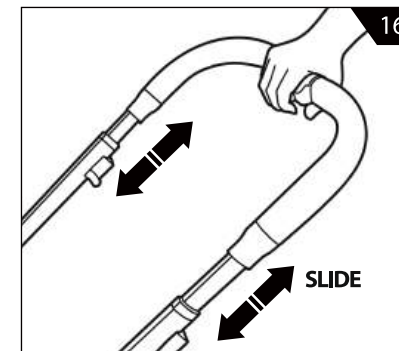


15. Gently lower down the handle towards the rear wheels. Squeeze the chassis together if required so that the chassis locking clip locks into place.



ADJUSTING THE HANDLE HEIGHT

16. The handle height is adjustable to four positions. To adjust the handle height, hold in the button in the middle of the handle grip, slide the handle up or down to one of the four positions. The handle will click into one of the pre-set positions when the button is released.

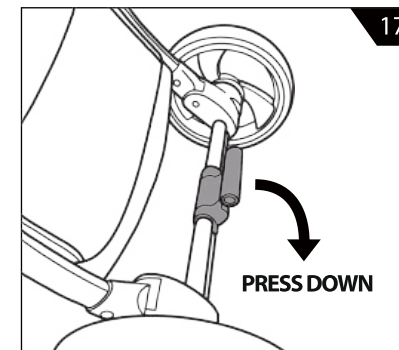


USING THE PARKING BRAKE

17. To engage the brake, firmly press down on the brake lever found in the middle of the rear axle. Check that the brake is fully engaged before letting go of the handle. To release the brake, lift up the brake lever until the wheel moves freely.

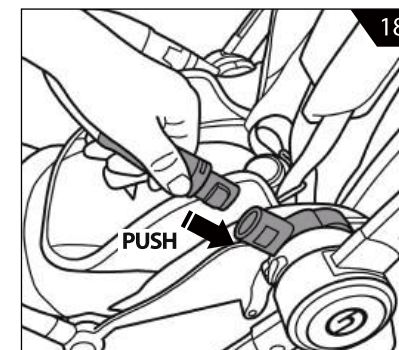
WARNING: Never leave the stroller without first engaging the brake.

WARNING: Always ensure that the parking brake is applied when placing and removing children.



FITTING / REMOVING THE BUMPER BAR

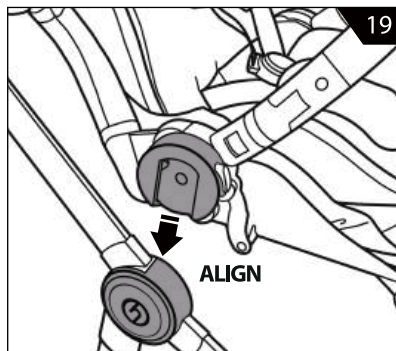
18. Push both ends of the bumper bar into the corresponding entry slots on the seat unit until the bumper bar locks into position. To remove the bumper bar, press in the bumper bar release buttons on either side underneath the entry slots on the seat unit.



FITTING THE SEAT UNIT

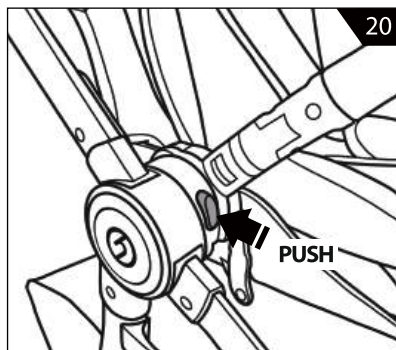
19. Align the seat attachments into the central hubs on either side of the chassis.

Push down until the seat unit clicks and locks into position. Ensure the seat unit is locked in position by trying to pull the seat from the chassis. The seat unit can be fitted facing forwards or rearwards.



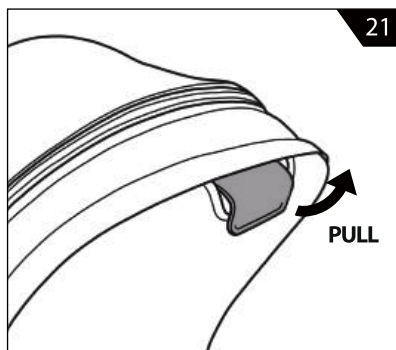
REMOVING THE SEAT UNIT

20. Push in the two seat unit release buttons located on either side of the seat unit. Gently hold the seat unit at the top of the backrest and with your other hand hold onto the bumper bar and lift up. This will release the seat from the attachment device.



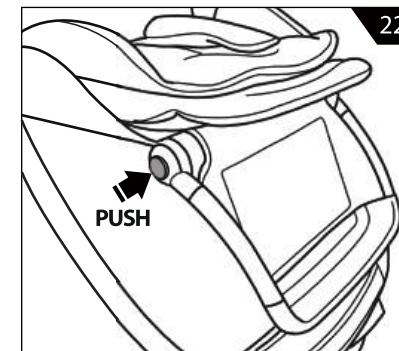
ADJUSTING THE SEAT UNIT BACKREST

21. Pull the lever at the top rear of the backrest and reposition to the required position. The seat backrest has three pre-set positions. When the seat backrest is in the required position, release the lever and the seat will lock into position.



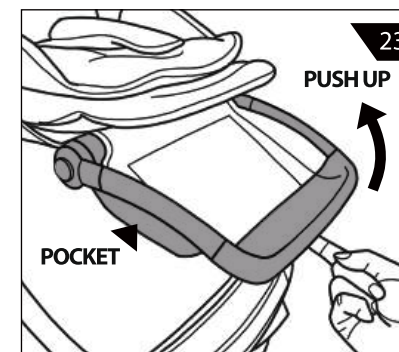
ADJUSTING THE LEG REST

22. To lower the leg rest press in the buttons on both sides at the top of the leg rest and push down. To raise the leg rest into higher positions, lift the leg rest and it will automatically click into the next position.



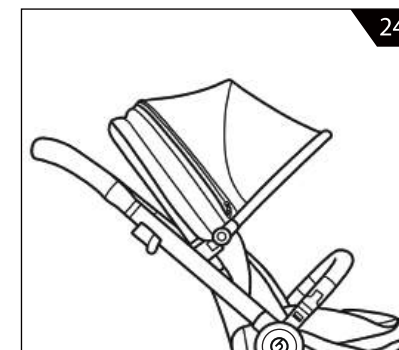
23. The leg rest also has a pop up feature to raise the calf support. Push up from beneath the calf support until it pops into position.

There is a small zipped pocket under the footrest.



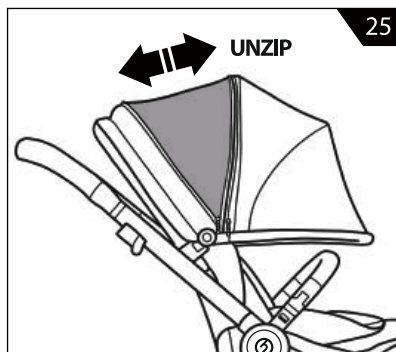
HOOD/SUN CANOPY

24. The seat unit has a multi-function hood that helps to protect your child from the elements. The hood is extendable, factor UV50+ protected and has a peekaboo ventilation window as well as a flip out sunvisor.

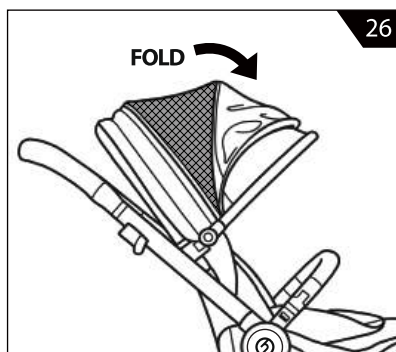


HOOD/SUN CANOPY (CONT)

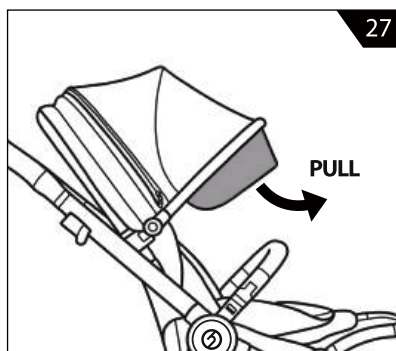
25. To extend the hood unzip the zip closer to pushing position across the centre of the hood to get the full extension.



26. To utilise the peekaboo ventilation window, unzip the zip farther from pushing position and fold over the fabric of the panel.

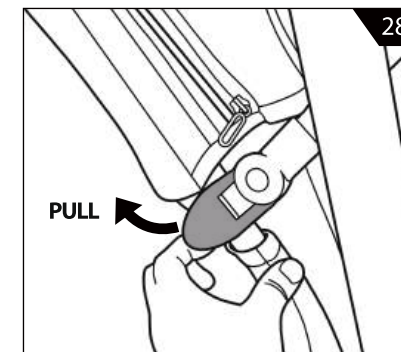


27. The sun visor is neatly folded inside the front of the hood. Simply reach in and pull the visor and it will spring forward into position. The visor is attached by zip if you wish to remove or reattach.



HOOD/SUN CANOPY (CONT)

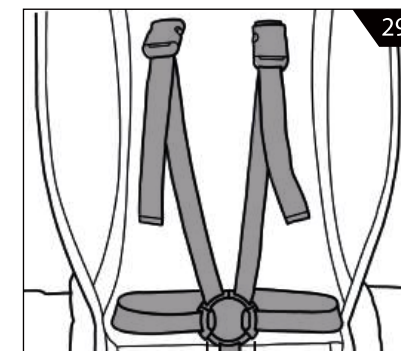
28. The hood can be removed altogether by simply pulling out the attachment clip from the chassis on either side at the bottom of the hood.



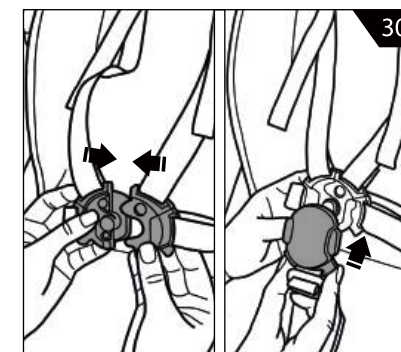
USING THE RESTRAINT SYSTEM

29. Always apply the parking brake before placing your child in the vehicle.

The restraint system (safety harness) has two shoulder straps, a circular waist belt and a crotch strap.



30. Place the two shoulder straps over the child's shoulder and the waist belt around the waist. The crotch strap should be placed between the child's legs.



To secure: fit together the left connector from the shoulder strap with the left connector from the waist belt. Push firmly into the central buckle. Repeat, fitting the right connector from the shoulder strap with the right connector from the waist belt and again firmly push into the central buckle.

The harness can be adjusted to suit your child by sliding the adjusters along the shoulder strap and waist belt. To release the safety harness, push the button in the centre of the buckle. The crotch strap can be adjusted to suit your child. There are two button holes in the seat base. Thread the buckle through the hole in the plastic seat base then through the opening in the seat covers and reposition, passing back through first the seat cover and then through the opening in the plastic seat base.

WARNING: Ensure the buckle and connectors are fully engaged before use.

WARNING: Always use the crotch strap in combination with the waist belt.

ALWAYS USE THE SAFETY HARNESS

FITTING THE STROLLER RAIN COVER

31. To fit the stroller rain cover the hood needs to be fully extended. Unfold and place the rain cover so that it covers all the textile parts. Pull the elasticated bottom of the rain cover over the leg support. To secure the rain cover fasten the press stud on the strap around the back of the backrest.



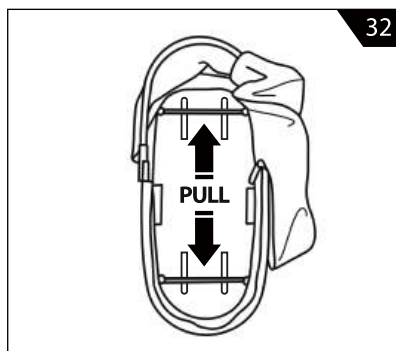
CARRYCOT

WARNING: This product is only suitable for a child who cannot sit up unaided.

WARNING: Only use on a firm, horizontal level and dry surface.

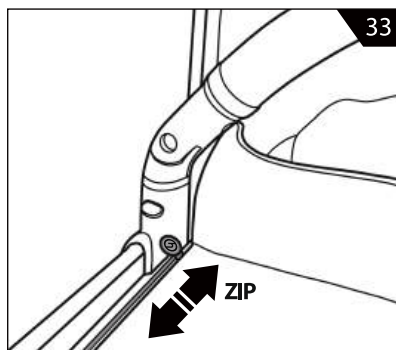
ASSEMBLING THE CARRYCOT

32. Remove the apron and mattress. Unzip the lining to gain access to the stay bars in the bottom of the carrycot. Pull the stay bars into position, so that they are clicked into place.



FITTING THE CARRYCOT APRON

33. Fasten the zip on the apron to the corresponding zip on the carrycot and pull all the way around. Secure the press studs between the apron and carrycot.



FITTING THE CARRYCOT TO THE CHASSIS

34. The carrycot can only be fitted to the chassis when the seat unit has been removed. The carrycot can only be fitted to the chassis facing the parent. Lower the carrycot into the attachment devices left and right. Push down until the carrycot clicks and locks into position. Check the carrycot is securely attached by trying to lift the carrycot from the chassis.



WARNING : Carrycot can not be fitted forward facing.

WARNING : Use only on a firm, horizontal level and dry surface.

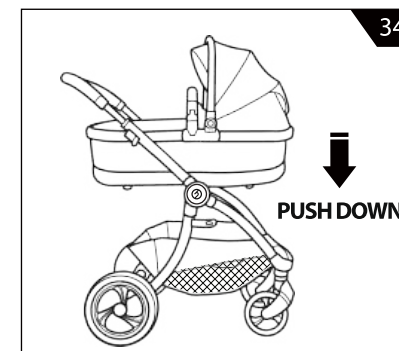
WARNING : Do not use if any part of the carrycot is broken, torn or missing.

WARNING : No additional mattress shall be added unless recommended by the manufacturer.

WARNING : Do not place the carry cot near an open fire or other source of strong heat.

WARNING : Do not let other children play unattended near the carrycot.

WARNING : The handles and the bottom of the carrycot should be inspected regularly for signs of damage and wear.

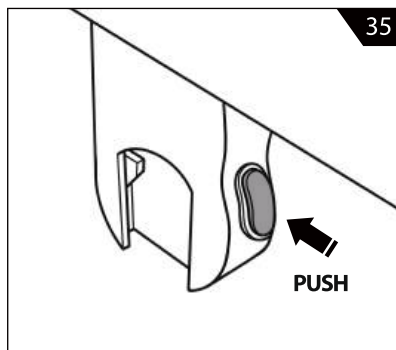


REMOVING THE CARRYCOT

35. Push in the two seat unit release buttons located on either side of the carrycot. Gently hold the carrycot at the front of the hood and lift. The carrycot will release from the chassis.

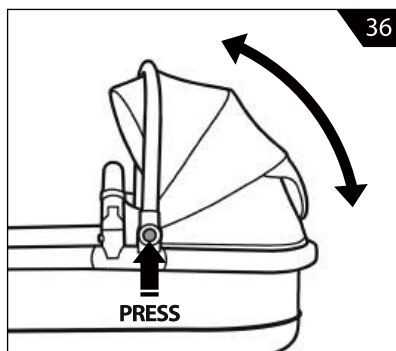
WARNING: Before carrying or lifting, make sure that the handle is in the correct locked position.

WARNING: The head of the child in the carrycot should never be lower than the body of the child.



ADJUSTING THE CARRYCOT HOOD

36. Press in the buttons on the sides of the hood and pull up until you hear them click into place. Press in the buttons again to put the hood down.



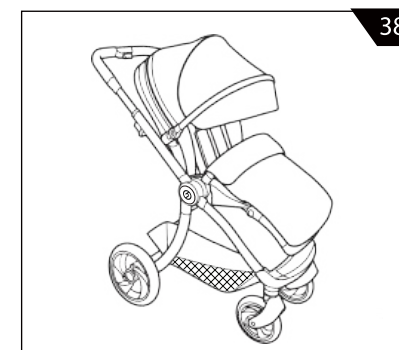
FITTING THE CARRYCOT RAIN COVER

37. Fully extend the hood. Unfold and place the rain cover over the hood of the carrycot so that the flap on the rain cover corresponds with the opening in the carrycot hood. Pull the rain cover down at the rear of the hood so that the elasticated edge covers the rear of the carrycot. Ease the front part of the rain cover over the apron and down around the front and sides of carrycot. Fasten press studs below attachment device.



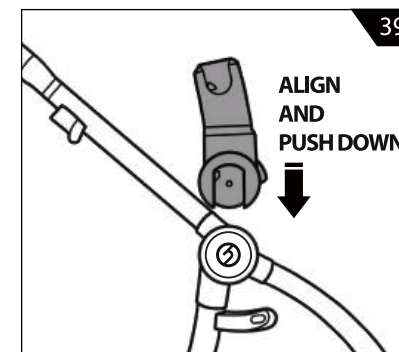
FITTING THE FOOTMUFF

38. Release the harness clips from the centre buckle. Fit the footmuff over the head rest padding and pass through the shoulder straps. Pass the waist belts through the corresponding slots in the footmuff. Pass the crotch strap through the slot in the footmuff. Fold the flap of the top cover over the bumper bar. The footmuff top cover can be removed by unfastening the zip. The base of the footmuff can be used as a seat liner without the top cover.



FITTING THE INFANT CAR SEAT USING THE MULTI ADAPTORS

39. The car seat can not be attached to the chassis until the seat unit or carrycot has been removed. The multi adaptors fit many leading brands of car seats (check with your retailer for full details). Insert the car seat adaptors into the chassis attachment devices.

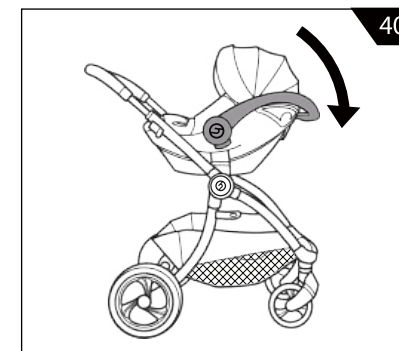


FITTING THE HYBRID CAPE INFANT CAR SEAT USING THE MULTI ADAPTORS

40. Hold the car seat by the carry handle and lower the car seat onto the multi adaptors, the adaptors should slot into the cavity at the base of the car seat handle left & right. Push down the car seat firmly. Press the button on the sides of the car seat and turn the handle backward to lock into position. Check that the car seat is secure and locked by pulling up on the car seat handle.

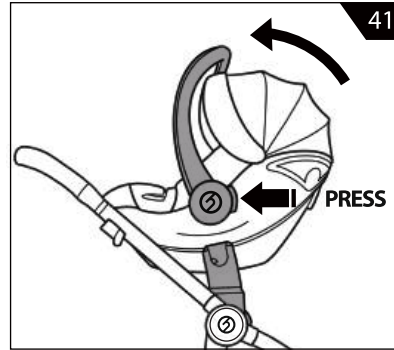
WARNING: For car seats used in conjunction with the chassis, these car seats do not replace a cot or bed.

WARNING: Should your child need to sleep, then they should be placed in a suitable pram body, cot or bed.

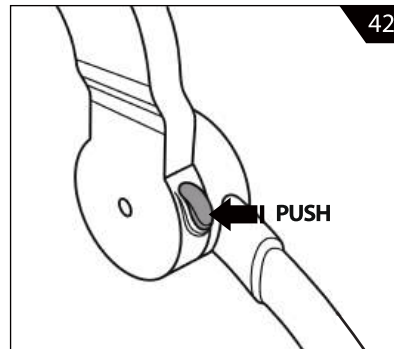


REMOVING THE HYBRID CAPE INFANT CAR SEAT FROM THE CHASSIS WHEN FITTED WITH THE MULTI ADAPTORS

41. To remove the car seat from the chassis: Press down on the two buttons on the sides of the car seat and turn the handle forward. Lift the car seat away from the chassis.



42. To remove the adaptors from the chassis push in the release buttons either side of the chassis and lift the adaptors away from the attachment device.



CARE AND MAINTENANCE

Regularly check screws, rivets, bolts & fastenings to ensure they are locked tight and secure. Replace any parts in an inferior condition. Should you intend to use the pushchair during the winter, by the sea or off-road; it is important to clean thoroughly & dry the vehicle after use. Salt from the ocean or from roads will corrode metal parts unless removed. After use in these circumstances clean with fresh water and dry thoroughly after use.

- Check on a regular basis that all chassis locking devices are working correctly.
- If any part of the pushchair is damaged contact your local Hybrid retailer immediately without using the pushchair.
- Do not expose your pushchair to excessive sunlight for extensive periods of time, even normal exposure to sunlight may cause the colour of the fabric to change.
- Take care not to tear the fabrics while transporting the pushchair.
- Light oil or silicone spray is suitable to use as a lubricant for moving parts.
- Ensure that zips are either fully open or fully closed or they may be damaged.
- Always use the rain cover in inclement weather.
- Do not place items on the hood/canopy, it may damage the vehicle and/or render it unsafe.
- Tyres can leave marks on some surfaces. The tyres can react with some surfaces (vinyl floor coverings, carpets etc.) and cause stains. Always stand the stroller on a protective surface indoors.
- Routinely clean the metal parts with a damp cloth & then dry immediately.
- Fabrics should be cleaned following the guidance on the care labels.
- Do not wash in the washing machine. Hand wash with mild detergent and warm water below (30°C).

WARRANTY

A stroller has many moving parts and requires regular maintenance by the user.

Simple cleaning and lubricating will make the stroller look good & operate better for longer.

The stroller will be used in many different environments, country walks, a trip to the coast; a winter's walk to school, all can increase wear, lead to rust and corrosion and reduce the life of the product.

Regular cleaning, care and maintenance will reduce the effects of the environment on the stroller.

The warranty does not protect the stroller against overloading, misuse, neglect or lack of care and maintenance by the user.

Hybrid provides a warranty in support of the retailer from whom you purchased this product. The warranty is effective for 1 year from the date of purchase for the original purchaser/owner.

Proof of purchase will (at the discretion of Hybrid) be required in order for your retailer to claim on the warranty.

The warranty excludes any fault caused by misuse, damage or neglect.

It is the user's responsibility to undertake routine inspection and maintenance of the vehicle in order to avoid damage to the vehicle and/or injury to the child.

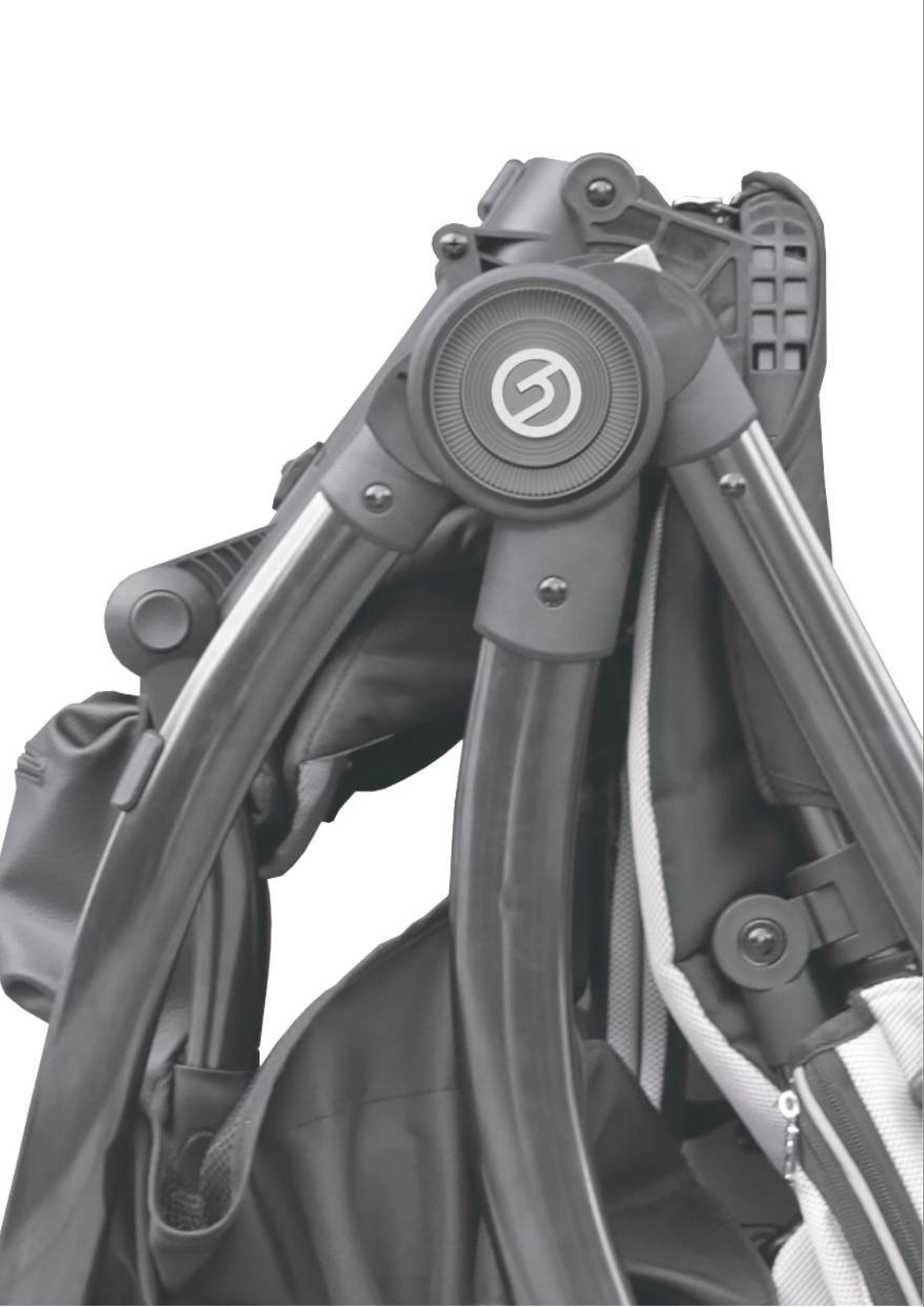
The vehicle is returned to the retailer at the owners' expense in order to ascertain if a claim under the warranty is justified.

Please carefully read the instructions on how to look after your stroller. This does not affect your statutory rights.

core II premium

使用說明書





目錄

| | |
|----------------|-------|
| • 重要安全規範 | 25 |
| • 主要特點 | 26 |
| • 安裝及拆卸前輪 | 27 |
| • 安裝及拆卸後輪 | 27 |
| • 前輪轉向及直行 | 28 |
| • 展開車架(含座椅布) | 28-29 |
| • 收折車架(含座椅布) | 30-31 |
| • 單獨車架的收折 | 31 |
| • 手把高度調整 | 32 |
| • 煞車使用方式 | 32 |
| • 安裝及拆卸前扶手 | 32 |
| • 安裝座椅 | 33 |
| • 拆卸座椅 | 33 |
| • 躺背角度調整 | 33 |
| • 腳踏折彎角度調整 | 34 |
| • 遮陽篷 | 34-35 |
| • 遮陽篷安裝 | 36 |
| • 五點式安全帶使用方式 | 36 |
| • 推車雨罩使用方式 | 37 |
| • 提籃結合器安裝及拆卸方式 | 37-38 |
| • 保養及維修 | 39 |
| • 保固 | 40 |
| • 維修保固服務 | 41 |

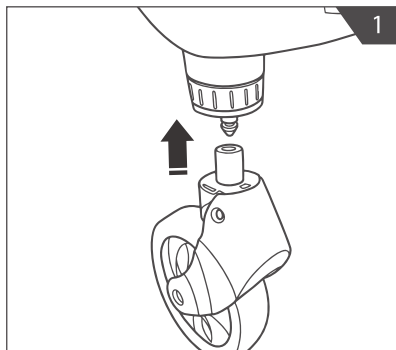
注意：請保留此份說明書作日後參考

1. 使用前請務必先閱讀說明書並了解使用方式。
2. 隨時都必須使用五點式安全帶。
3. 此推車僅可承載一個小孩，請勿承載超過一個以上的孩子以避免危險。
4. 警告：錯誤的組裝、收折及使用不正確都有可能造成推車的損壞及影響安全性。請勿超載，盡量將物品放在網籃中間。
5. 警告：孩童的安全是您的責任。
6. 警告：請勿讓孩童單獨在推車上，無人看管。
7. 警告：請確認所有鎖定裝置已定位。
8. 此推車適用新生兒到15公斤以下孩童。
9. 建議新生兒調整為平躺位置。
10. 請勿使用非原廠的零配件以避免危險。
11. 警告：在把手上吊掛東西會影響推車穩定性。
12. 警告：靜止狀態時請務必使用煞車，請勿在樓梯、台階、扶梯上使用推車，可能會造成危險。
13. 警告：孩童在推車上，請勿往上搬動或是高舉車台，可能會有危險。
14. 警告：此推車不適合溜冰或是跑步。
15. 定期檢查確認每個零件都正常使用。
16. 不建議使用非原廠零件。
17. 收折推車時，請讓孩子遠離推車。
18. 警告：請勿讓孩子操作推車。
19. 推車需要左轉或是右轉，都可站在推車後方推行。
20. 推車本身無法取代睡箱或是床，如果孩子需睡覺，請將他放在床上或睡箱內。



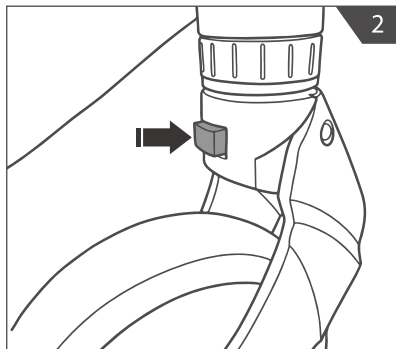
安裝前輪

1. 在前輪上找到前輪軸心，並把它推進前輪輪軸桿上，使用前請先確認前輪已經安裝固定完成。



拆卸前輪

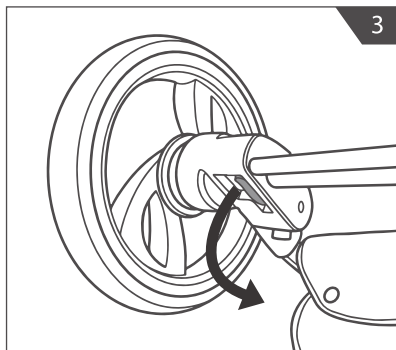
2. 在前輪座後方按下鬆脫鈕將前輪脫離前輪座。



安裝 / 拆卸後輪

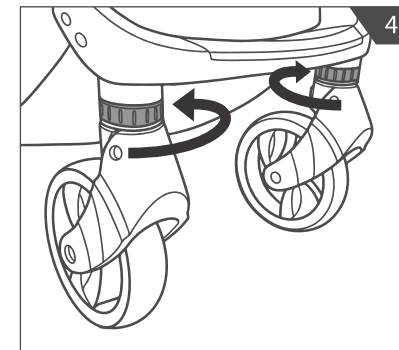
3. 安裝：將後輪直接插入後輪孔內，直到後輪確認已固定在後輪軸上。

拆卸：將後輪座下方鬆脫桿往下拉，然後將後輪往外取出脫離車架。



前輪轉向及直行

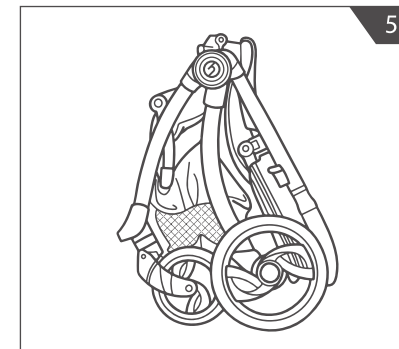
4. 前輪有旋轉及直行兩種模式，兩輪分別向左或向右旋轉即可將前輪固定直行；反之，便可將前輪360度旋轉。



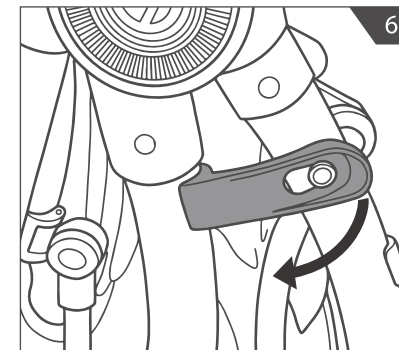
展開車架 (含座椅布)

5. 將車台直立於地面上。

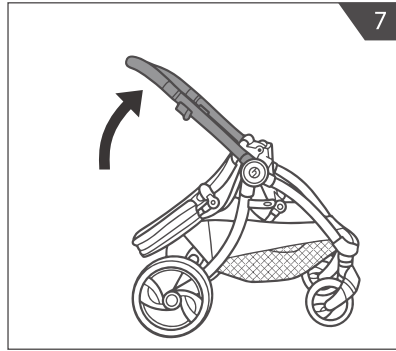
警告：為了避免受傷，在收折及展開本產品時，請務必讓孩子遠離。



6. 打開推車前，請確認後輪已煞車，站在推車後方，推車收車扣會在您的右邊，將收車扣往外撥。



7. 將推車把手往上提，直到推車完全打開定位。打開推車後，請將推車把手往下壓，以便檢查推車已經是否完全展開。



8. 順勢將座椅提起到定位位置，再將躺椅角度調整到所需位置。
(可參考步驟21)。

警告：使用前，請確認所有卡榫都已到定位。



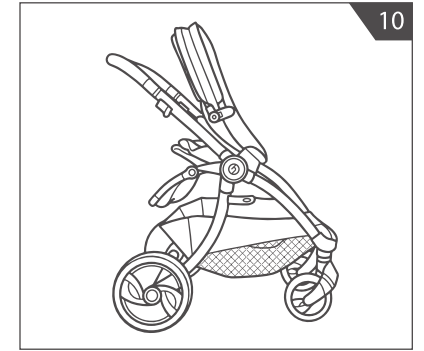
9. 如圖示，將遮陽篷往前拉至定位。



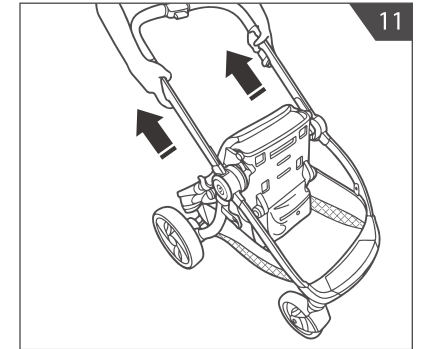
收折車架 (含座椅布)

10. 座椅向後收折 (反向收折)：先踩住煞車，再將座椅躺背按鈕往上扳，順勢往前折去碰到腳踏折彎處，座椅會在這過程中轉到推車後方，座椅朝下。

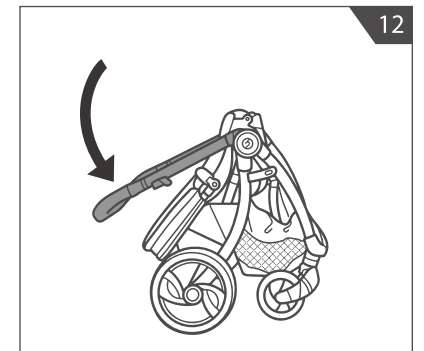
警告：請確保孩童已遠離推車，置物網籃內的東西也已清空。此推車可反向收折，也可正向收折。



11. 站在推車後方，往上撥左右兩側解鎖鈕 (如圖示)。

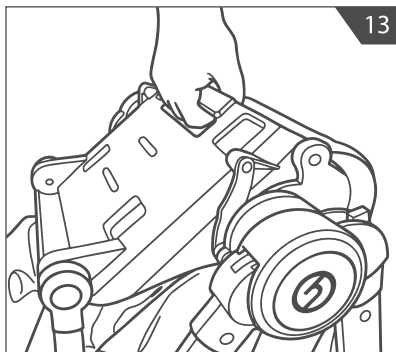


12. 順勢將兩側手把往下收至後輪附近，讓收車扣扣在收車勾上。



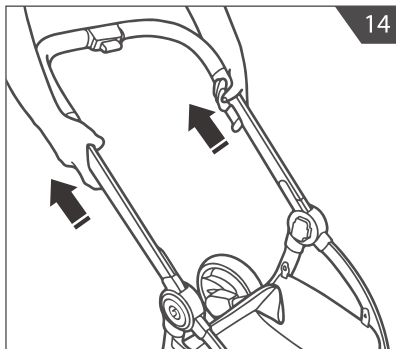
收折車架 (含座椅布)

13. 收折完成後，可拉著提把，方便移動 (如圖示)。

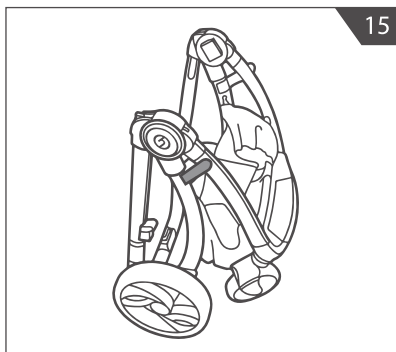


單獨車架的收折

14. 站在推車推動位置，找到推車手把兩側解鎖鈕。

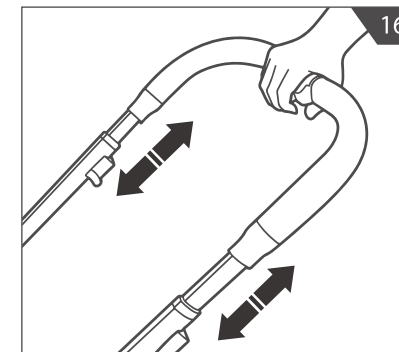


15. 提起兩側解鎖鈕順勢往下收折推車，直至推車扣鎖上收車鈕位置為止。



手把高度調整

16. 手把有四段高度可調整，按著中間按鈕，可往上或往下調整所需高度。

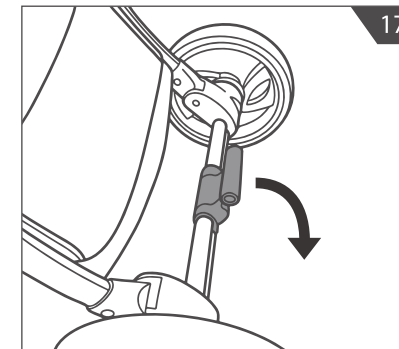


煞車使用方式

17. 煞車時，請用腳往下踩位於後輪中間的剎車踏板。解開煞車時，用腳抬起煞車踏板直至車台移動自如。

警告：離開車台鬆開把手前，請確保車台已處於煞車狀態。

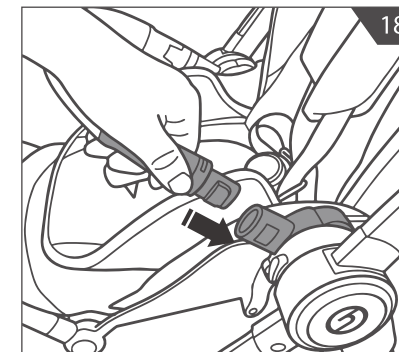
警告：將孩子置於或抱出推車時，請務必使用煞車。



安裝及拆卸前扶手

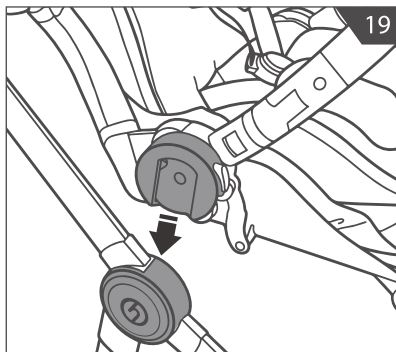
18. 安裝：把前扶手插入前扶手連接點。

拆卸：按下前扶手側面的釋放按鈕，再將前扶手從推車上取出。



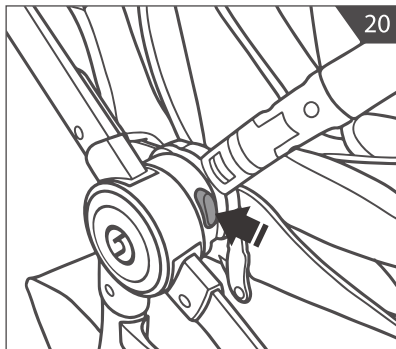
安裝座椅

19. 讓座椅垂直於車架兩側，滑進車架兩側旁的卡榫內，請確保推車座椅已經卡到定位處，座椅可放置往前或往後位置。



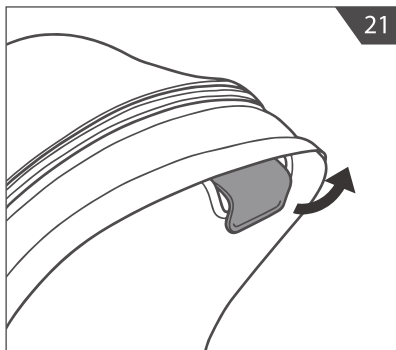
拆卸座椅

20. 按下座椅左或右側解開鈕，按下一側後，再按下另一側按鈕，一手扶住椅背後面，一手扶著前扶手，往上將座椅脫離車架。



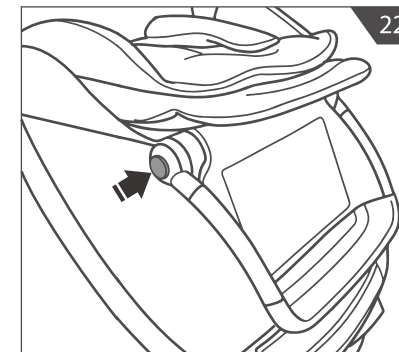
躺背角度調整

21. 用手指扳開躺背上方調整器，往上或往下調整至所需躺背角度。躺背有三段角度可調整，請注意調整到所需位置時，鬆開上方調整器，並確認兩邊已定位到所需位置。

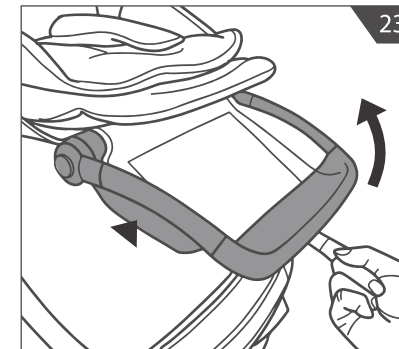


腳踏折彎角度調整

22. 同時按下腳踏板左右兩側按鈕，可往下調整腳踏折彎角度。

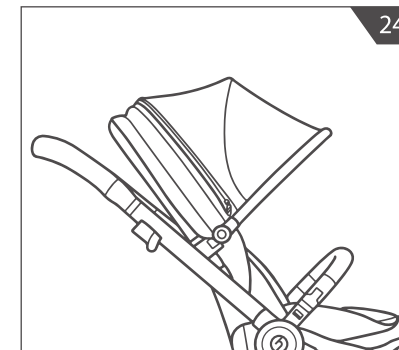


23. 可直接將腳踏板往上扳起調整腳踏板角度，腳踏板會自動停在所需位置。內置蚊帳於腳踏板後方的小袋子內。



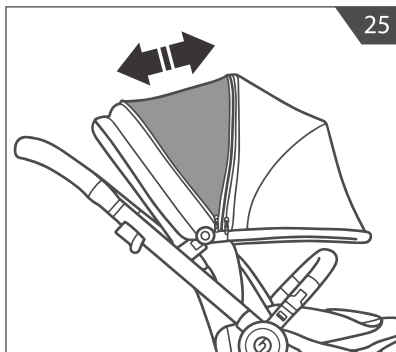
遮陽篷

24. 推車遮陽篷可多功能使用，可拉開拉鍊往前延伸遮陽篷，使用抗 UV50+ 高防曬的材質，也可讓您跟孩子有躲貓貓的互動。

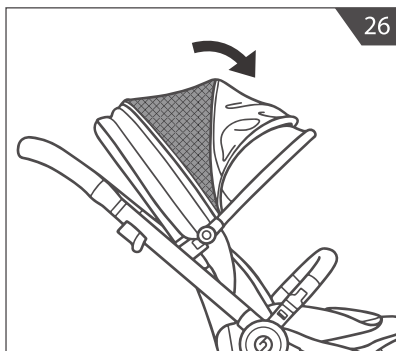


遮陽篷

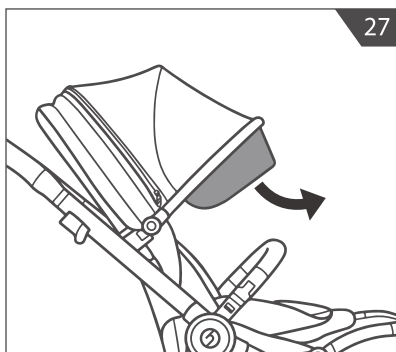
25. 先將遮陽篷中間的拉鍊拉開，拉住遮陽篷前緣將延伸片拉開。



26. 拉開親子窗，可讓您跟孩子有躲貓貓的互動。

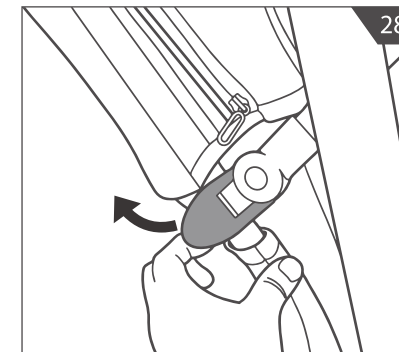


27. 前緣半遮陽片往外拉出即可，也可將其往內收折。可依需求將前緣半遮陽片與遮陽篷中間的拉鍊拉開，將整片遮陽片移除。



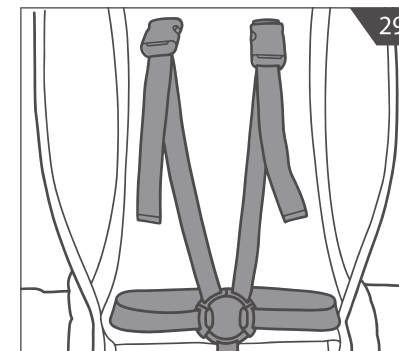
遮陽篷安裝

28. 遮陽篷的兩側塑膠扣，可直接卡在兩側車架管上 (如圖示)。若要移除，將兩側塑膠扣向外扳開即可。

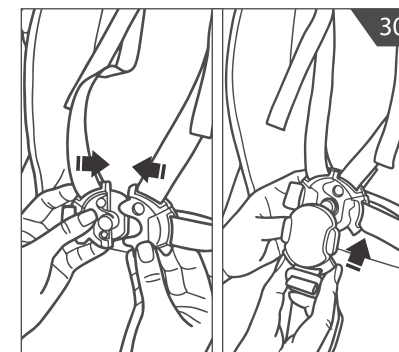


五點式安全帶使用方式

29. 將孩子放入推車前請務必踩住煞車，安全帶含兩條肩帶，兩條腰帶，一條前跨帶。將兩條肩帶放在孩子雙肩上，腰帶圍在孩子腰部，前跨帶應放在孩子的兩腿間。



30. 將左右兩側扣具用力推入中央扣帶，將肩帶與腰帶安裝至正確連接器，再扣上中間安全母扣。若要鬆開安全帶，按壓安全母扣左右兩側按鈕即可。



警告：前跨帶務必與腰帶肩帶共同使用。
警告：務必要使用安全帶。
警告：務必確保安全帶有正確繫上。

推車雨罩使用方式

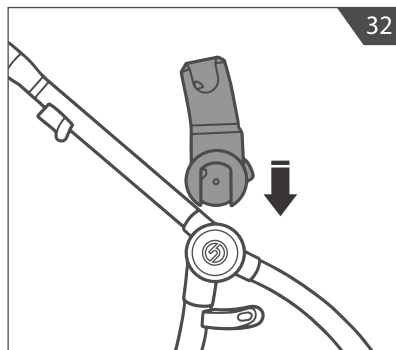
31. 將遮陽篷完全撐開，再將雨罩由上往下套上推車，確認已覆蓋椅套及車架。將雨罩最下緣鬆緊帶處固定於腳踏板下方，請確認雨罩上方已覆蓋住推車遮陽篷，並檢查推車雨罩是否覆蓋完整。



提籃結合器安裝方式

32. 先將推車上座椅拆卸下來，再將提籃結合器順著車架滑軌向下插入，直至完全定位上鎖。

- ※ 未將上座拆卸下來前無法使用結合器。
- ※ 可結合不同品牌之提籃，請先向您原購買的經銷商詢問，或至官方網站查詢適用提籃型號。



33. 將提籃提把左右兩側下方空隙處向下插入結合器，確認完全定位上鎖後，再按下兩側按鈕將提把往下調整。

- ※ 不同款式型號之提籃使用方式不盡相同，請先確認您的提籃使用方式。

警告：提籃僅可做為汽座或推車座椅。

警告：提籃無法取代睡箱或床。

警告：務必確保安全帶有正確繫上。



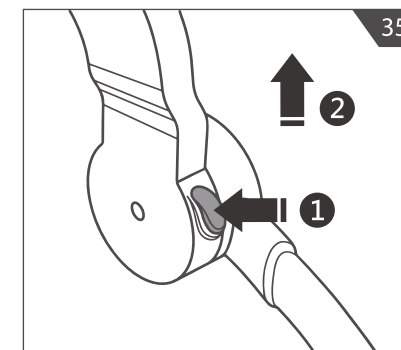
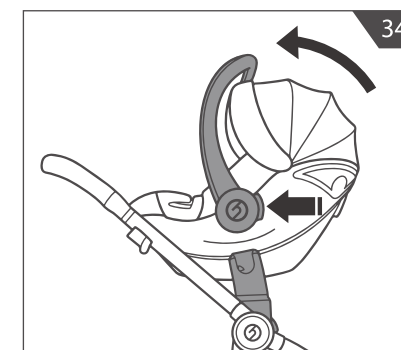
提籃結合器拆卸方式

34. 先將提籃提把往上調整，再按壓住提籃兩側的按鈕，並將提籃向上抽起，以從推車車架分離。

- ※ 不同款式型號之提籃使用方式不盡相同，請先確認您的提籃使用方式。

35. 按下結合器的銀色按鈕，並向上抽起結合器，即可拆卸下來，左右兩側拆卸方式相同。

- 警告：請勿在提籃拆卸下來前直接拆卸結合器，以免造成危險。



- 定期檢查您的推車，是否功能都正常使用。
- 若您的推車有所受損，請與購買的hybrid premium經銷商聯絡，進行後續售後維修。
- 建議不要讓推車長時間曝曬在陽光下，正常的戶外使用，也有可能造成布料上的顏色變化。
- 請確認拉鍊已完全拉開或是拉上。
- 大晴天請勿使用雨罩。
- 請勿在遮陽篷上方放置物品，以免造成遮陽篷的損害。
- 輪胎可能在某些地面上留下痕跡，推車不用時，請收折起來。
- 定期的保養檢查才能使推車功能穩定，若是遇到推車無法收折或是難以收折的情況，請勿強行收折，請與購買的經銷商聯絡。
- 輪胎保養：可用濕布擦拭輪子，再用軟乾布擦乾。若您聽到車子發出異音，可以自行先上點潤滑油，或是向原購買經銷商洽詢。
- 清潔座布：請依座布上清洗標示做清潔，建議手洗，請勿乾洗、漂白、烘乾、熨燙。
- 拆裝座布前，請記得每個部位扣住的順序，方便之後裝回去的程序。

保固期限

- 自購買日起 2 年。進行售後維修服務時，必須提供該產品蓋有經銷商店章以及購買日期的保固卡，使得享有服務。

非保固範圍

- 保固期內若因維修所產生的物流費用不包含在保固範圍內，須由客戶自行負擔。
- 保固卡資料不完全（如：未加蓋經銷商店章）、遺失、塗改、不實等情形，本保固卡視為無效。
- 自行（或委託他人）變更、拆修、改裝產品或附加其他物件，所引起之故障與損壞。
- 天災地變（如地震、颱風、火災、電擊、電壓異常...等）及環境因素（如硫磺氣、化學、油汙、鼠害、蟲害...等）不可抗力之自然災害因素，所引起之損壞或故障。
- 因人為不當使用（如人、動物等外力破壞、錯誤操作使用、安裝後自行搬運...等）所引起之故障或損壞。
- 產品本體內、外之消耗性零件及附配件，包括但不限於安全帶、座布、輪胎、前扶手、皮革手把套、蚊帳、雨罩等，皆視為正常使用下須更換之耗材，故無法予以保固。
- 本公司將盡力提供正確與即時資訊，但仍然難以避免技術上或文字上之疏漏，同時我們保留不另行通知即隨時變更與修改之權利，如有造成困擾，我們深感抱歉。

當產品在保固期間內發生問題時，在符合維修條件下，請向您原購買的經銷商聯絡維修事宜。

若有其他疑問，也歡迎致電到台灣原廠直營中心：

Premium baby英悅寶股份有限公司

電話: 02-86600085

Email: premiumbaby.tw@gmail.com



粉絲專頁



官方網站



LINE@



YouTube