

CHILDREN CARSEAT

rota

Instruction Manual

Gp.0+/1 (0-4yrs)

ECE R44/04



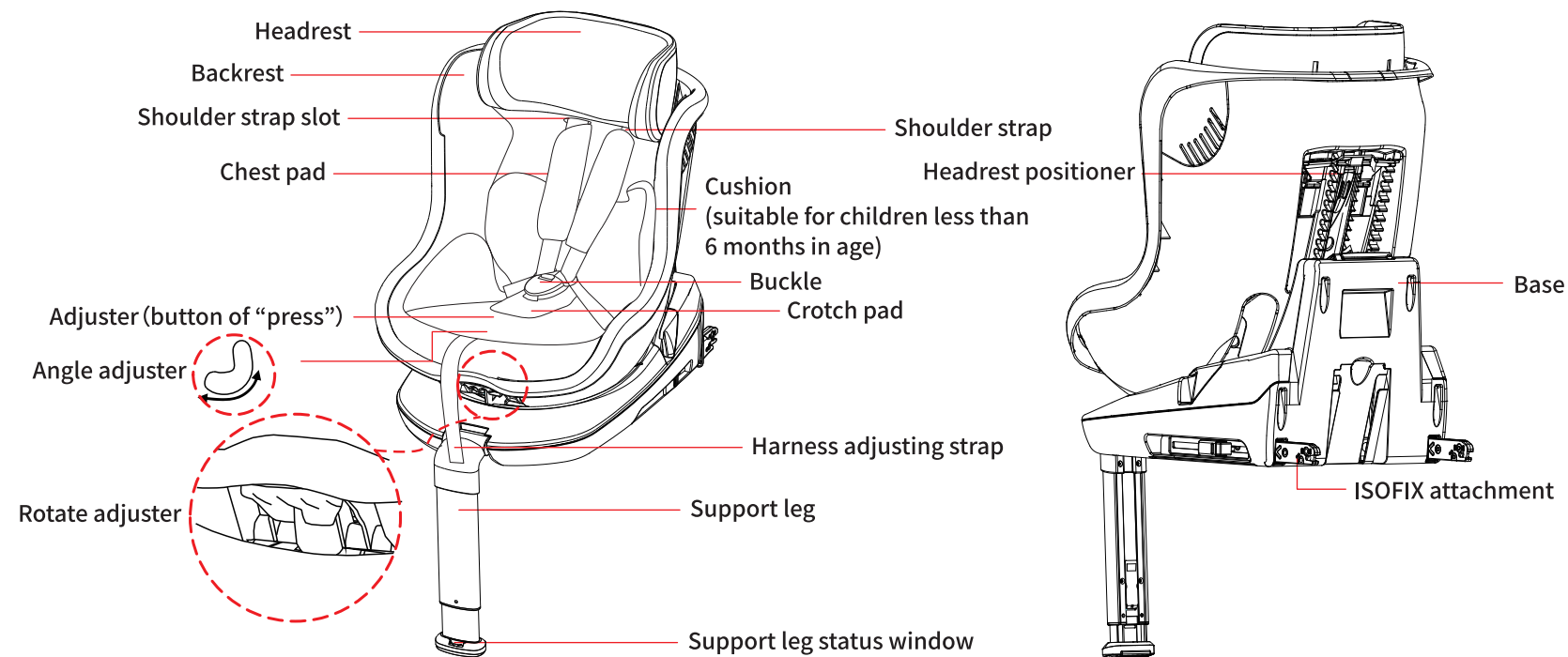
hyBrid by BabyStyle

- This is an ISOFIX child restraint system. It is approved to Regulation ECE R44/04 series of amendments for general use in vehicles fitted with ISOFIX anchorages systems.(see vehicle type list)
- It will fit vehicles with positions approved as ISOFIX positions (as detailed in the vehicle handbook),depending on the category of the child seat and of the fixture.
- The mass group and the ISOFIX size class for which this device is intended is : Group 0+(0-13kg), Group 1(9-18kg);B1&D
- This child restraint is classified for “Semi-universal ”use and is suitable for fixing into the seat positions of following cars:

Motorcycle type	Front seats	Rear seats	
		Outside	Intermediate
Passat 2011 1.8TSI AT	NO	YES	NO
Corolla 2011 1.6L MT GL	NO	YES	NO
Audi A4L 2011 2.0 TFSI	NO	YES	NO

*Seat positions in other cars may also be suitable to accept this child restraint.If in doubt, consult either the child restraint manufacturer or the retailer.

1. PRODUCT OVERVIEW



2. FEATURE

The biggest feature of this product is a 360-degree rotation of the child restraint system, which greatly reduces the difficulty of installing child. The ultra-light weight of the product makes it more convenient for parents to install and carry.

This product equips with advanced ISOFIX installed on the car seat using ISOFIX anchorage which is more convenience ,more steady and safer. This product also equips with an anti-rotation device.The device consists of support leg which intended to limit the rotation of the restraint during a frontal impact.

With side impact protection system to protect child's head, enhance damping flanking advanced anti side impact,and it meets the latest I-SIZE side impact requirements.The system have soft and antiskid pad in the hasp and chest which makes child feel more comfort. The fabric of cover can be washed, flame retardant, environmental protection and fashion .

3. SAFETY WARNING

- For your child's safety, please read these instructions carefully before using and keep them for future reference. Failure to follow the instructions contained in this manual could result in serious injury to your child.
- This child seat can only be used with the harness for children less than 18kg in weight (group 0+,0-13kg; group1, 9-18kg). Never overload the child seat more than one child or with other loads.

- For your child's safety, please read these instructions carefully before using and keep them for future reference. Failure to follow the instructions contained in this manual could result in serious injury to your child.

- This child seat can only be used with the harness for children less than 18kg in weight (group 0+,0-13kg; group1, 9-18kg). Never overload the child seat more than one child or with other loads.

- For ISOFIX installation: Make sure you read the car manufacturer's handbook.

- This instruction manual can be retained in the special space of the child seat for its life period.

- Do not use this child seat at home. It has not been designed for home use and should only be used in your car.

- Do not leave your child unattended in the seat at any time.

- Do not place rear-facing child seat on front seat with airbag. Death or serious injury can occur.

- The child seat should be changed when it has been subject to violent stresses in an accident.

- For the reason of safety, the child seat must be fixed inside the vehicle using ISOFIX anchorages even if you do not put your child inside the child seat.

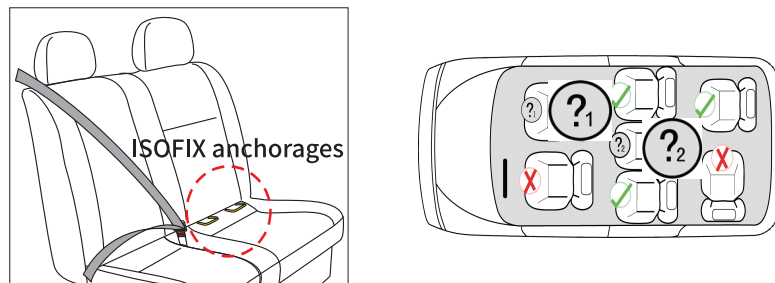
- Always make sure that any straps holding the seat restraint to the vehicle shall be tight , any straps restraining the child should be adjusted to the child's body, and check that the straps shall not be twisted.

- Ensuring that any straps is worn low down,so that the pelvis is firmly engaged, shall be stressed.

- Any luggage or other objects liable to cause injuries in the event of a collision shall be properly secured.
- The rigid items and plastic parts of a child restraint must be so located and installed that they are not liable, during everyday use of the vehicle to become trapped by a moveable seat or in a door of the vehicle.
- It is dangerous to make any alteration or additions to the device without the approval of the competent authority, and a danger of not following closely the installation instructions provided by the child restraint manufacturer.
- This child seat is designed for children from birth up to 18kg .Never overload the child seat more than one child or with other loads.
- The child restraint must not be used without the cover.
- The seat cover should not be replaced with any other than the one recommended by the manufacturer, because the cover constitutes an integral part of the restraint performance.
- The child seat should be kept away from sunlight if the seat is not provided with a textile, otherwise it may be too hot for the child's skin.
- Never use a second-hand product, as you can never be certain what was happened to it.

4. USAGE

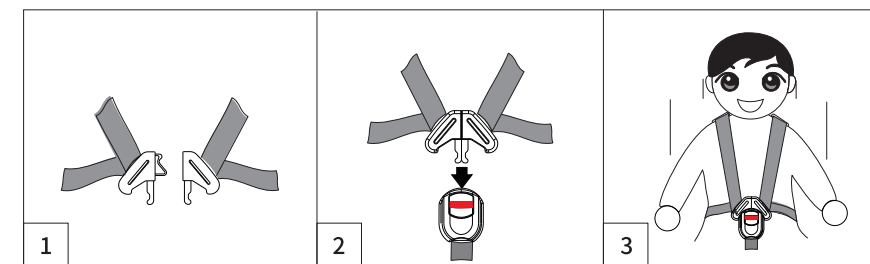
4.1 Installing position of the child seat in vehicle



- When installed with ISOFIX anchorages and support leg, this type of child safety seat is suitable for fixing into the seat positions of the cars equipped with ISOFIX system that are fitted in accordance with ECE R14.

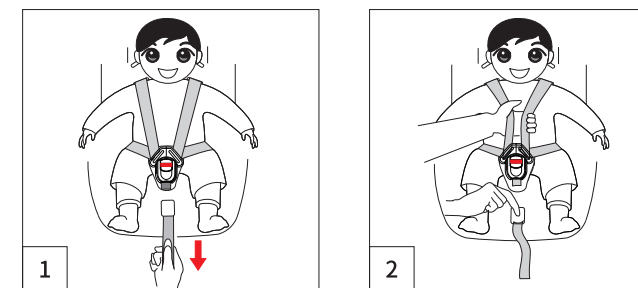
- ?₁ Not to use rearward-facing in seating positions where an active frontal airbag is installed.
- ?₂ Only use on this seat if ISOFIX anchorages are fitted.

4.2 Usage of buckle



- Step1: Insert the left and the right pieces of buckle together.
- Step2: Insert the two pieces into the slot of the buckle at the same time. hearing "click" means the buckle gets stuck, pull the pieces of the buckle and check whether the buckle is locked correctly.
- Step 3: If you want to release the safety belts, it need to press the red button, then the pieces pops up.

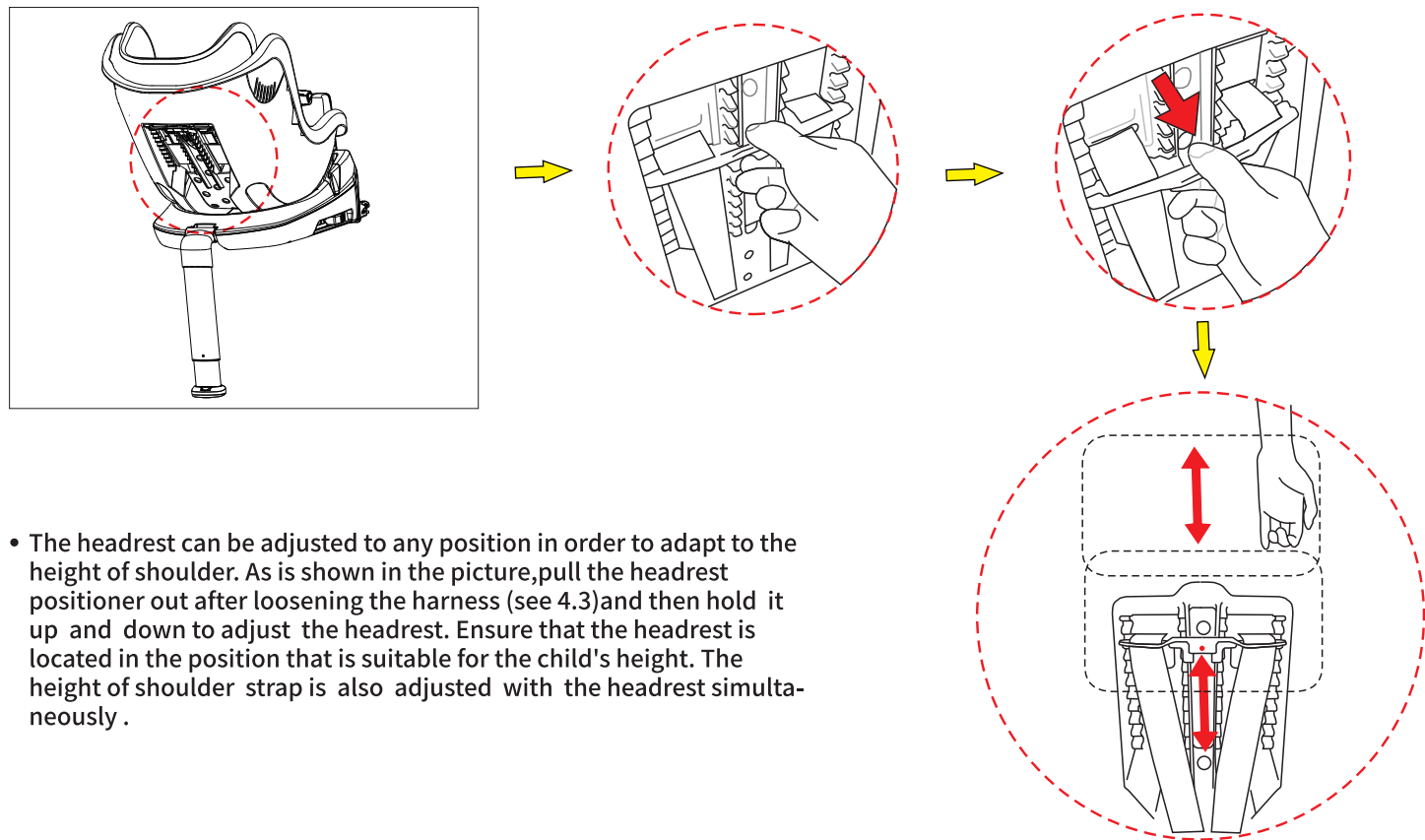
4.3 Adjust the length of harness



- Picture1: Tighten the harness.
Pull the harness upwards to remove the slack from the lap sections of the harness then pull the front stretch belt until the harness is fully tightened. The harness should be adjusted as tightly as possible without causing discomfort to your child. A loose harness can be dangerous. Check the harness adjuster and tighten each time when the child is placed in the seat.
- Picture 2: Loosen the harness.
The harness can be slackened by pressing the adjuster (under the seat cover) on the front of the seat. Press down the adjuster as you grip the two harness with your another hand. Pull the harness towards you to loosen the harness.

4.4 Adjust and check the height of headrest and shoulder strap

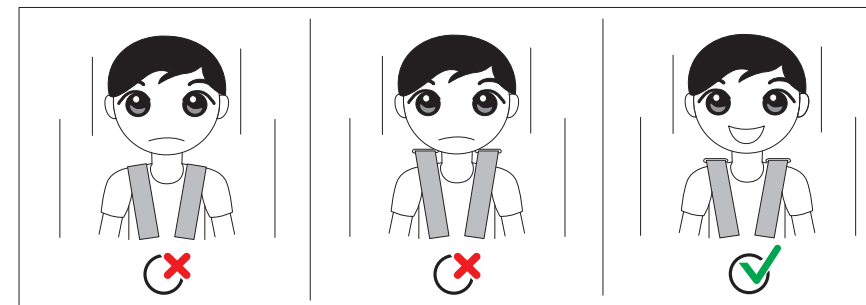
4.4.1 Adjust the height of headrest and shoulder strap



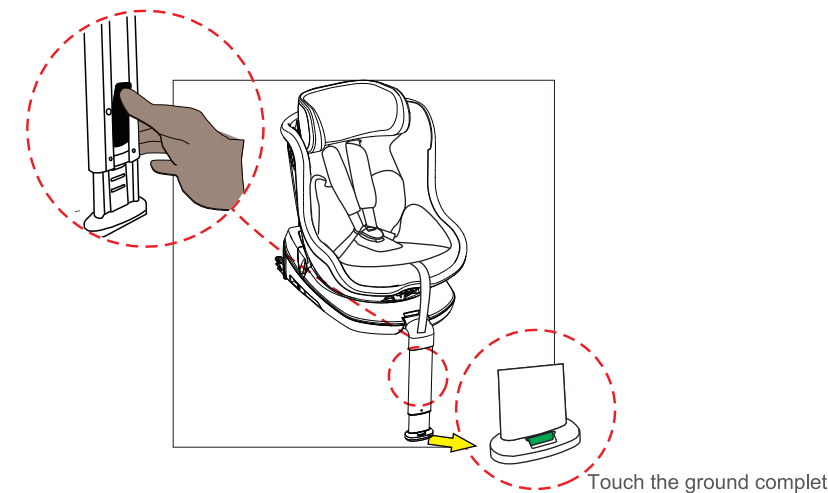
- The headrest can be adjusted to any position in order to adapt to the height of shoulder. As is shown in the picture, pull the headrest positioner out after loosening the harness (see 4.3) and then hold it up and down to adjust the headrest. Ensure that the headrest is located in the position that is suitable for the child's height. The height of shoulder strap is also adjusted with the headrest simultaneously.

4.4.2 Check the height of headrest and shoulder strap

✓ Right ✗ Wrong

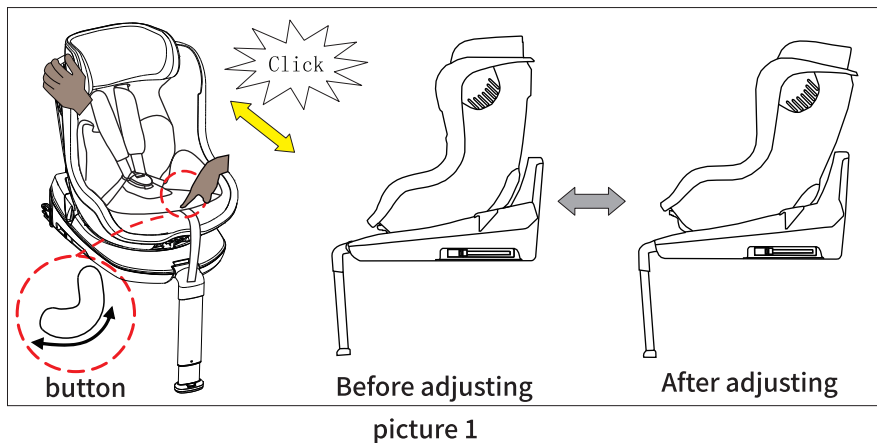


- Always check whether the harness are at the correct height for your child. If not, repeat adjusting the height of headrest (see 4.4.1)



- Press the button and adjust the length of support leg to suitable for different height of car seat. Make sure the bottom of the support leg touch the ground completely and the support leg status window shows green. **IMPORTANT:** Adjust the support leg to this position .when you hear a “click” means you have got the right angle of support leg. Then you can adjust the length of support leg.

4.6 Adjust the child seat to different incline position



- The child seat can be adjusted 5 different positions - position 1, 2, 3, 4, 5. Press the button of angle adjuster under the front of the seat, and then pull or push the seat forwards or backwards. Release the angle adjuster in the desired position and push it until you hear a "click". The position sticker is shown in picture 2. Mark of blue is only for rearward-facing, and you can rotate the backrest for 180 degrees.

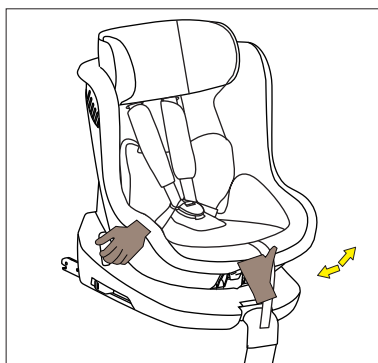
Rearward-facing (blue)



Forward-facing (red)

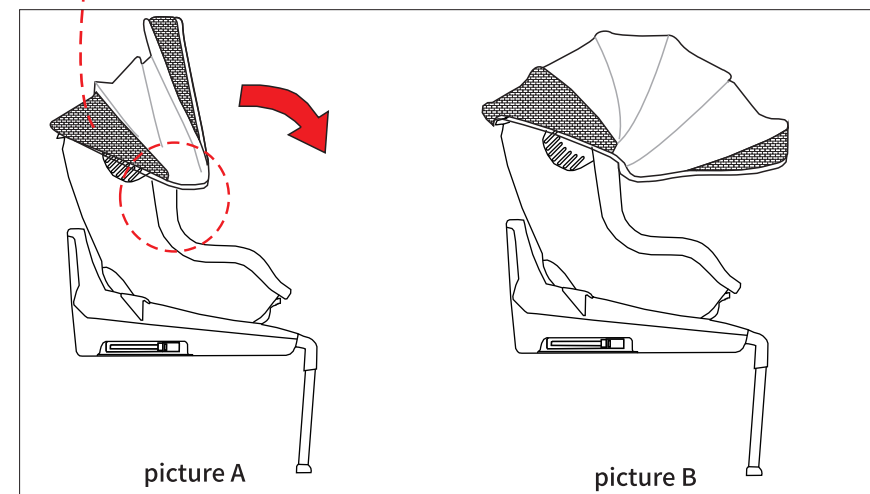
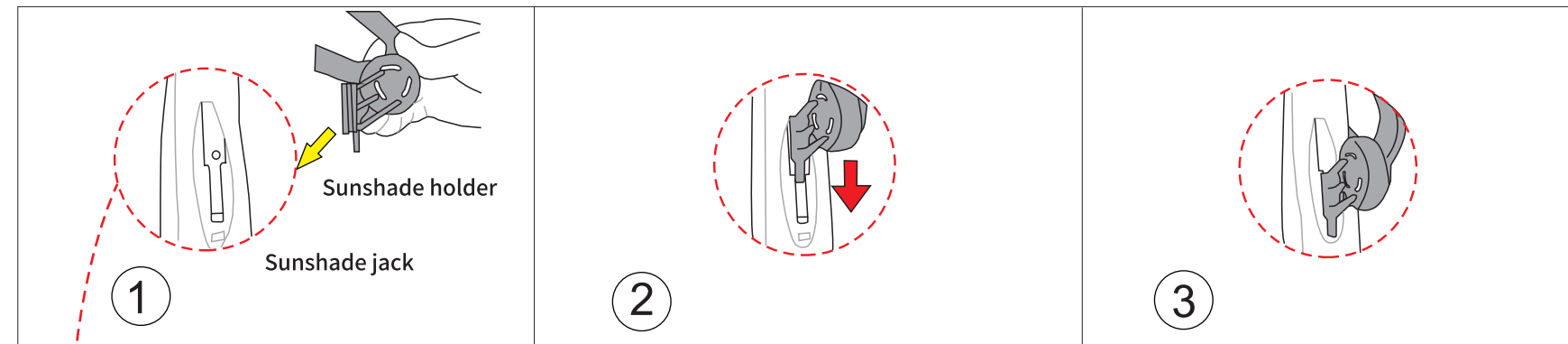
picture 2

4.7 Adjust the child seat to different rotating positions



- This child seat can be free to rotate 360 degrees. Clench the rotate adjuster until it press into the body of seat, then hold on the base in another hand. Now you can rotate the child seat. Be sure to hear a "click" when turning to the forward-facing or rearward-facing.

4.6 Adjust the child seat to different incline position



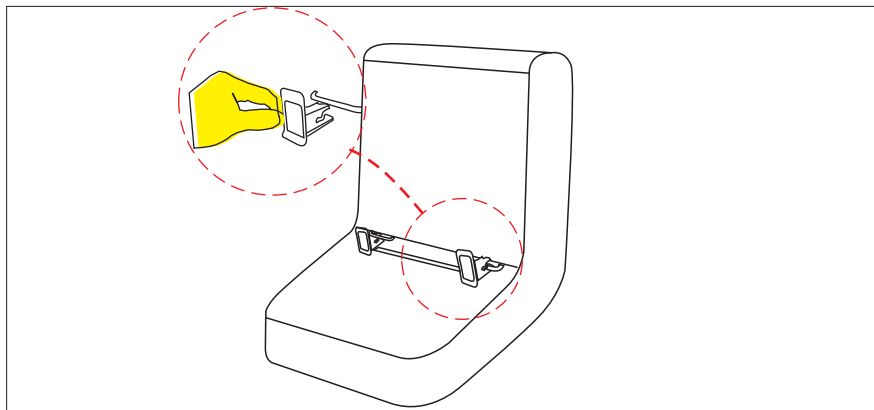
- Installation:
 - Assemble the sunshade, and set up the cover of sunshade.
 - Insert the sunshade holder into the sunshade jack on both sides of the body. It is installed in place When you hear a "click".

Picture A: Place the sunshade to the top position .
Picture B: Place the sunshade to the bottom position.
- Dismantling:
 - Pull the sunshade holder out of the sunshade jack.
 - Pull the connecting rod out of the sunshade holder.

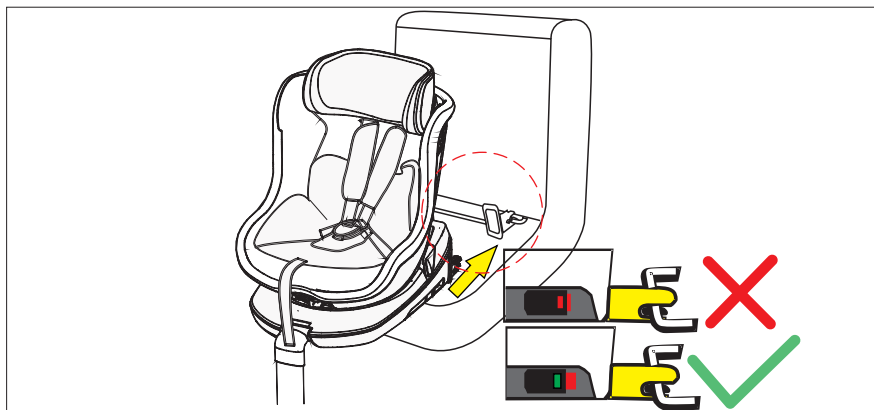
Then you can remove the sunshade cover.

5. INSTALLATION

5.1 Installation of the child restraint system



- Step 1: Install ISOFIX guide sleeves to ISOFIX lower anchorages.



- Step 2: Press down the red button to adjust ISOFIX attachment of both sides to the longest. Then put the ISOFIX attachments into guide sleeves, and insert them into ISOFIX anchorages. Make sure that you have heard a “click” and the ISOFIX latching indication shows GREEN. Next, you can push the child seat towards the car seat backrest until it is firmly pressed against the car seat backrest. If you want to release the ISOFIX attachments, just need to press the ISOFIX red button. Then adjust the support leg to touch the ground completely (see 4.5)

5.2 Installation of the child

<ul style="list-style-type: none"> • 1. Loosen the harness (see 4.3), and place the child on the child seat. • 2. Adjust the height of headrest (see 4.4). • 3. Tighten the harness (see 4.3). 	<p>Group 1 (9-18kg)</p>	<p>Group 0+ (0-13kg)</p>
<p>Installation status</p>	<p>Driving status</p>	
<p>⚠ IMPORTANT:</p> <ul style="list-style-type: none"> • 1. Do not place the child seat in this position when the car is moving. • 2. You should turn it to the driving status after installation of child. 	<p>⚠ IMPORTANT:</p> <ul style="list-style-type: none"> • Not to use forward-facing before the child's weight exceeds 9kg. 	

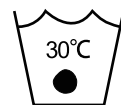
6. MAINTENANCE AND CLEANING

6.1 Daily maintenance

- In daily use, check periodically the child seat. The child seat should be replaced after an accident.
- Please keep this child seat in dry and ventilated place to avoid damp moldy.
- If the child seat becomes dusty, clean the seat belt and the plastic pieces by swiping them with a damp sponge and let it dry under ambience.
- If food or drink drop accidentally on the buckle, disassemble the seat belt from the child seat and rinse it gently by warm water. Leave it dry under ambience .
- For cleaning the entire child seat fabric cover, please refer to the 6.2 washing instruction.

6.2 Washing instruction

- Never use any solvant, chemical detergent or lubricant on any part of your child seat.



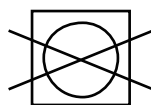
Hand wash,
water
temperature
below 30°C



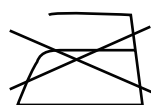
Do not bleach



Dry clean, any
solvent except
trichloroethylene.



Do not tumble dry



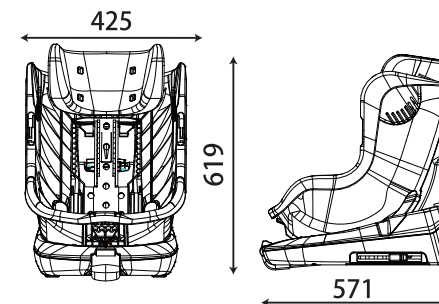
Do not iron

This instruction manual © BabyStyle UK Limited 2017 All right reserved.

6.3 Remove and assemble the fabric cover

- Tear the velcro of the shoulder straps and the backrest cover.
- Unlock the buckle, and set it out of the cover hole .
- Remove the fabric cover of the child seat. To install the fabric cover, please operate follow the above instructions in a reverse order.

7. MAIN TECHNICAL PARAMETERS



- Distance from front to back of the seat: 571mm
- Distance from left to right of the seat: 425mm
- Height of the seat: 619mm
- Weight of the seat: 9.9kg

Malaysia sole distributor :

Sweet Cherry Enterprise (M) Sdn Bhd (308103-V)
Address : No.3 Jalan Perindustrian PP5, Taman Perindustrian Putra Permai,
43300 Seri Kembangan, Selangor D.E., Malaysia
Tel.: +603 8959 0113
Email : enquiry@sweetcherry.com.my
www.sweetcherry.com.my

Thailand sole distributor :

Object Inspire Group Co.Ltd
Address : 988/164 Greenwich Ramintra, Ramintra Road,
Kannayao, Bangkok
Contract no.: +699 1786 7222
www.hybridstrollerthailand.com



**Hybrid will keep evolving
Hybrid without compromise**

BabyStyle

BabyStyle UK Ltd
LE12 7RJ UNITED KINGDOM

Asia Sole Distributor
Hybrid International Company Limited
Contact: cs@alliedchamp.com
www.hybridbybabystyle.com